

10/100 BASE-T PULSE TRANSFORMERS

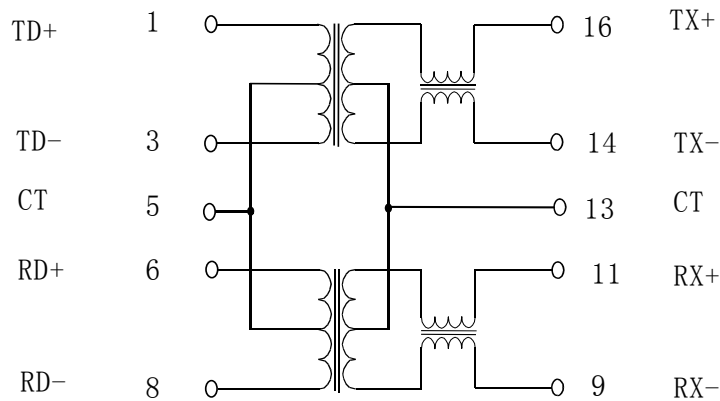
Features:

- Compatible With Various 10/100TX Transceiver Requiring 1:1 Transmit and 1:1 Receive Turn Ratio
- all IEEE 802.3 and ANSI X3.263 standard including 350 uH OCL with 8 mA bias
- Operating temperature -40°C to 85°C
- Minimum interwinding breakdown voltage of 1500Vrms

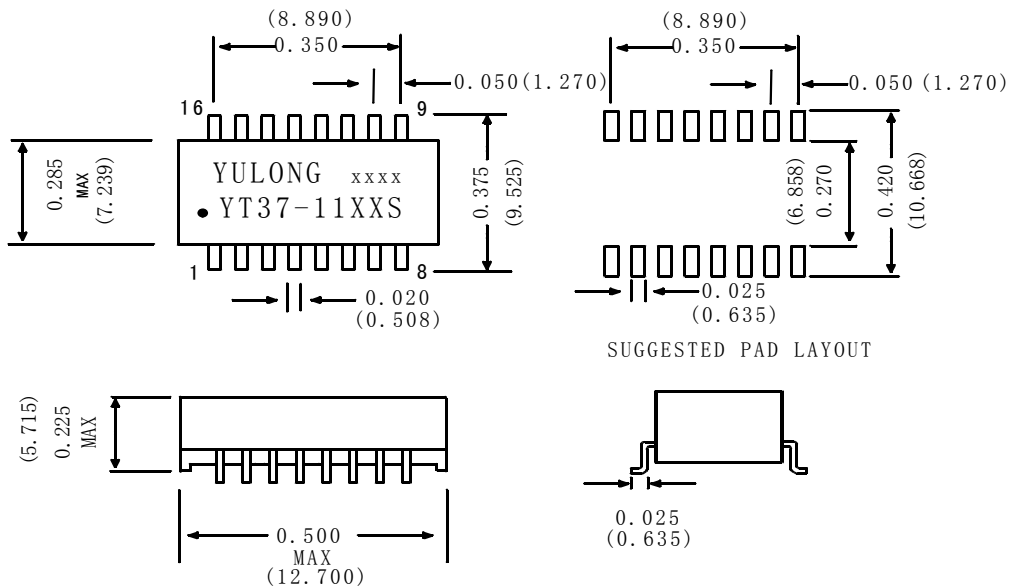
Electrical Specifications @ 25°C

| Part Number | Insertion Loss (dB Max) | ReturnLoss (dB min) | | | CMRR (dB min) | Crosstalk (dB min) | | |
|-------------|-------------------------|---------------------|-------|----------------|------------------|--------------------|-------|-----------------|
| | 0.1MHz to 100MHz | 0.1MHz to 30MHz | 50MHz | 60MHz to 80MHz | 0.1MHz to 100MHz | 0.1MHz to 30MHz | 60MHz | 80MHz to 100MHz |
| YT37-1107S | -1.0 | -16 | -12 | -10 | -38 | -42 | -38 | -35 |

Schematics



Mechanicals



NOTE: Dimensions: inches unless otherwise specified all tolerances are ±0.010