

10/100 BASE-T PULSE TRANSFORMERS

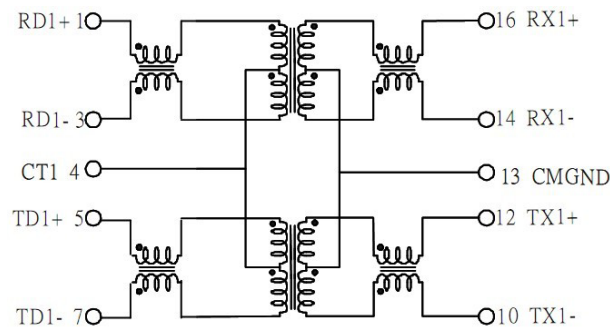
Features:

- Compatible With Various 10/100TX Transceiver Requiring 1:1 Transmit and 1:1 Receive Turn Ratio
- all IEEE 802.3 and ANSI X3.263 standard
- Isolation Modules are Available for Most LAN IC Manufacturer's Products
- Operating temperature 0°C to 70°C
- Minimum interwinding breakdown voltage of 1500Vrms

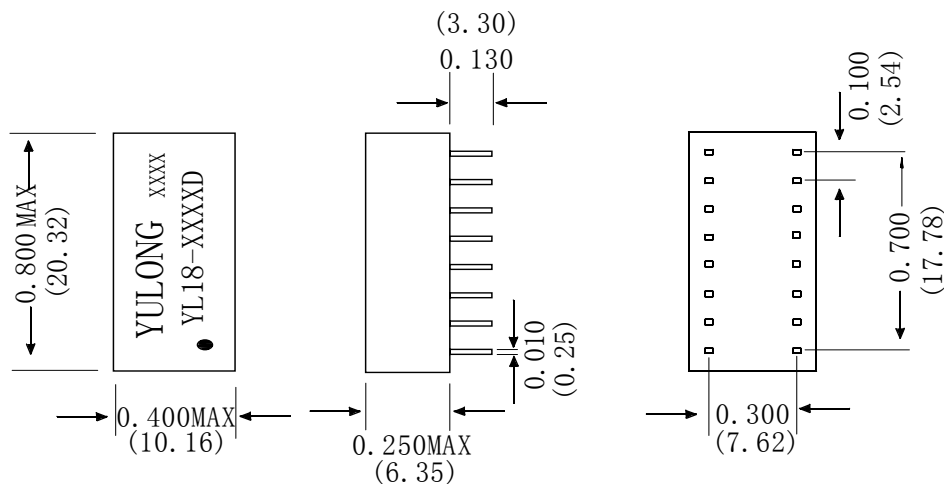
Electrical Specifications @ 25°C

Part Number	Insertion Loss (dB Max)	ReturnLoss (dB min)			CMRR (dB min)	Crosstalk (dB min)		
	0.1MHz to 100MHz	0.1MHz to 30MHz	50MHz	60MHz to 80MHz	0.1MHz to 100MHz	0.1MHz to 30MHz	60MHz	80MHz to 100MHz
YL18-2005D	-1.0	-16	-12	-10	-38	-42	-38	-35

Schematics



Mechanicals



PIN 2,6,8,9,11,15 CUT OFF

NOTE:Dimensions:inches/(mm) unless otherwise specified all tolerances are $\pm 0.010(0.25)$