

10/100 BASE-T PULSE TRANSFORMERS

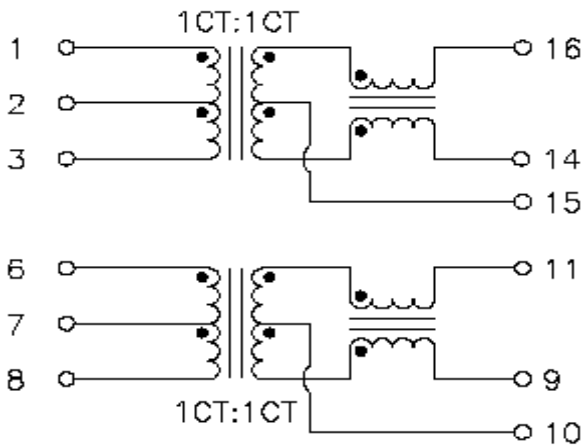
Features:

- Compatible With Various 10/100TX Transceiver Requiring 1:1 Transmit and 1:1 Receive Turn Ratio
- all IEEE 802.3 and ANSI X3.263 standard including 350 uH OCL with 8 mA bias
- Isolation Modules are Available for Most LAN IC Manufacturer's Products
- Operating temperature 0°C to 70°C
- Minimum interwinding breakdown voltage of 1500Vrms

Electrical Specifications @ 25°C

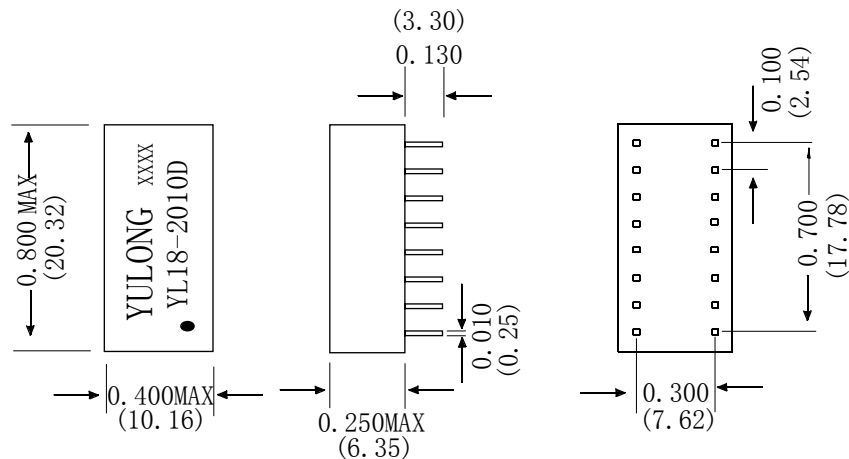
Part Number	Insertion Loss (dB Max)	ReturnLoss (dB min)			CMRR (dB min)	Crosstalk (dB min)		
		0.1MHz to 100MHz	0.1MHz to 30MHz	50MHz		60MHz to 80MHz	0.1MHz to 100MHz	0.1MHz to 30MHz
YL18-2010S	-1.0	-22	-18	-12	-40	-50	-40	-40
YL18-2010D	-1.0	-22	-18	-12	-40	-50	-40	-40

Schematics

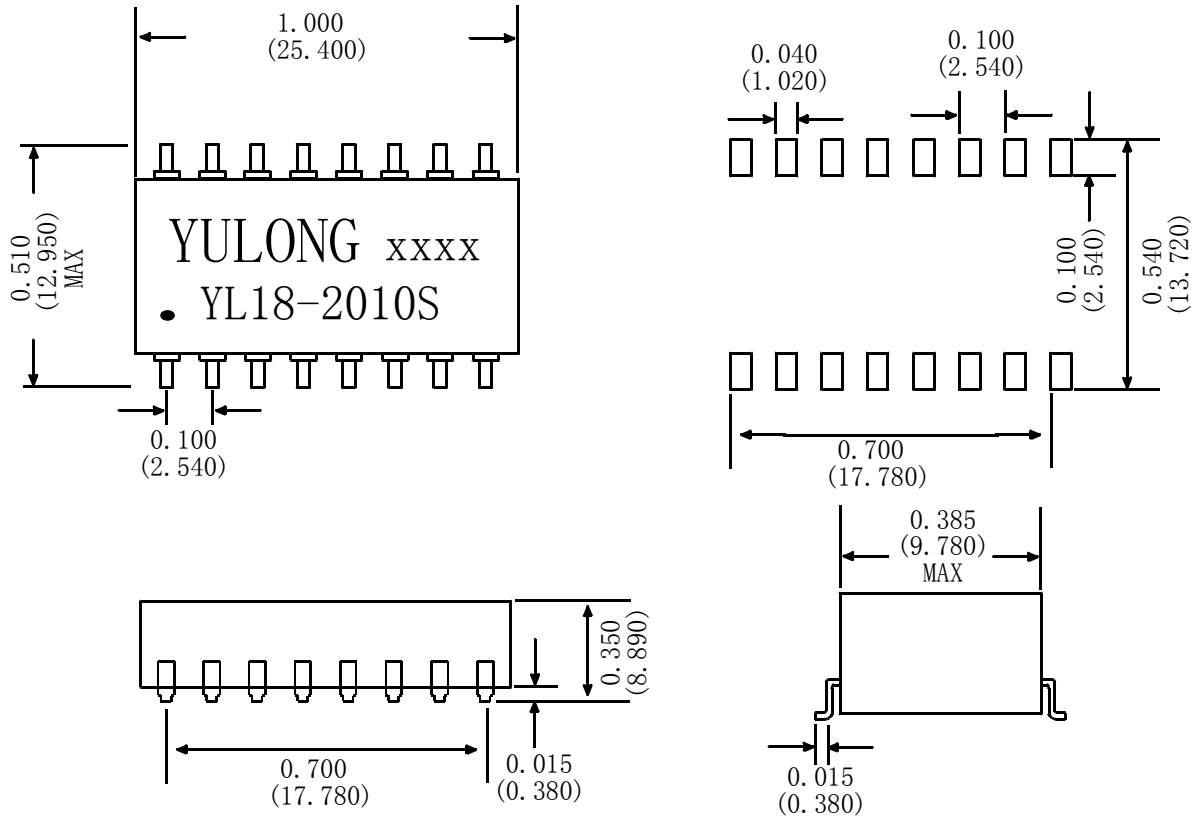


Mechanicals

YL18-2010D



YL18-2010S



NOTE:Dimensions:inches/(mm) unless otherwise specified all tolerances are $\pm 0.010(0.25)$