

# 10/100 BASE-T Single port Magnetics

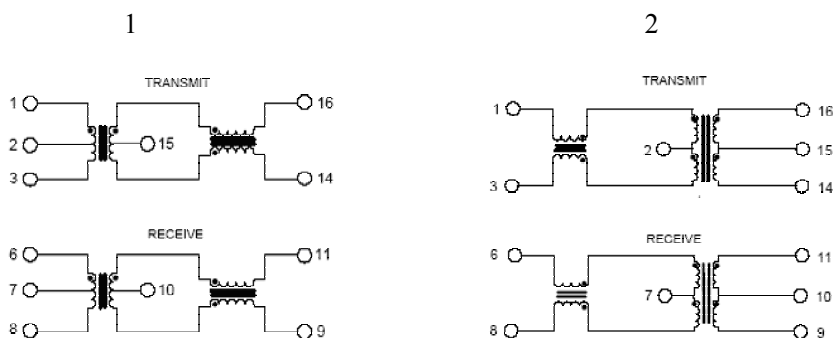
## Features:

- all IEEE 802.3 and ANSI X3.263 standard
- Isolation Modules are Available for Most LAN IC Manufacturer's Products
- Minimum interwinding breakdown voltage of 1500Vrms

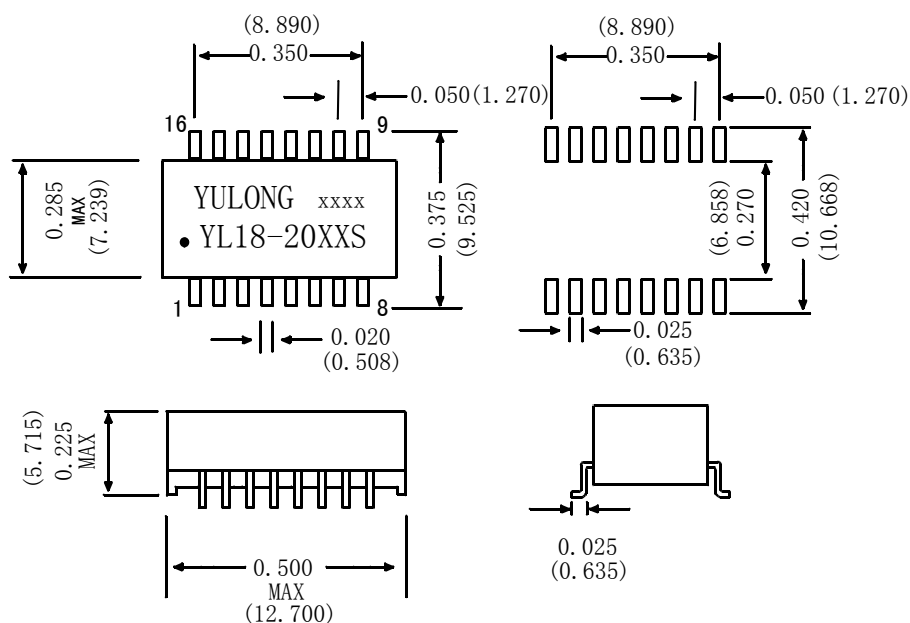
## Electrical Specifications @ 25°C- operating temperature 0°C to 70°C

Part Number	Turns Ratio		Leakage inductance uH MAX	Insertion Loss 0.1-100MHz	ReturnLoss (dB min)				Sch
	TX	RX			0.5-30MHz	40MHz	50MHz	60-80MHz	
YL18-2051S	1CT:1CT	1CT:1CT	0.4	-1.0	-18.0	-16.5	-14.5	-12.0	2
YL18-2052S	2CT:1CT	1CT:1CT	1.2	-1.0	-18.0	-16.5	-14.5	-12.0	1
YL18-2053S	1CT:1CT	2CT:1CT	1.2	-1.0	-18.0	-16.5	-14.5	-12.0	1
YL18-2054S	1.41CT:1CT	1CT:1CT	0.9	-1.0	-18.0	-16.5	-14.5	-12.0	1
YL18-2055S	1.25CT:1CT	1CT:1CT	0.9	-1.0	-18.0	-16.5	-14.5	-12.0	1
YL18-2056S	1CT:1.41CT	1CT:1CT	0.4	-1.0	-18.0	-16.5	-14.5	-12.0	1

## Schematics



## Mechanicals



NOTE: Dimensions: inches/(mm) unless otherwise specified all tolerances are  $\pm 0.010(0.25)$