

10/100 PC Cars Lan Magnetics Solutions

Features:

- Half port and single port designs for maximum layout flexibility
- Low profile packages from 0.094”(2,39mm) to 0.078”(1,98mm) for PC Card and Cardbus applications
- Compatible with intel,TDK,QSI and ICS transceivers
- Operating temperature 0°C to 70°C
- Minimum interwinding breakdown voltage of 1500Vrms

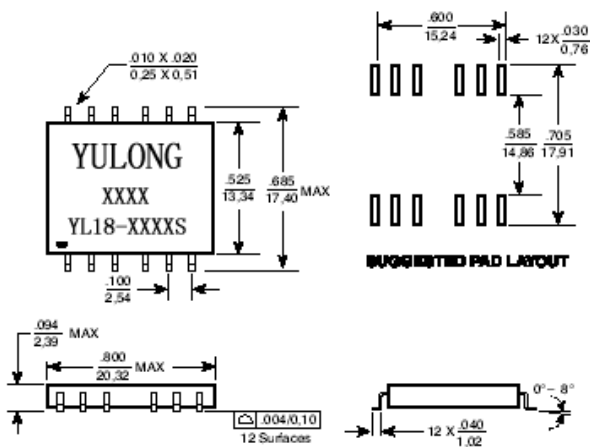
Electrical Specifications @ 25°C

Part Number	Turns Ratio	Insertion Loss (dB Max)	ReturnLoss (dB min)			CMRR (dB min)			Crosstalk (dB min)		
			0.1-100MHz	30MHz	60MHz	80MHz	30MHz	50MHz	100MHz	30MHz	62MHz
YL18-2071S	1:1/ 1:1	-1.3	-18	-13	-11	-40	-35	-30	-40	-40	-35
YL18-2072S	1.414:1/ 1:1	-2.0	-18	-12	-10	-30	-30	-30	-40	-40	-35
YL18-2073S	1:1/ 1:1	-1.3	-18	-13	-11	-30	-30	-30	-40	-35	-30
YL18-2074S	1:1/ 1:1	-17	-12	-10	-30	-15	-18	-20	-	-	-
YL18-2075S	1:1/ 1:1	-1.3	-16	-12	-11	-35	-33	-20	-40	-40	-35
YL18-2076S	1:1/ 1:1	-0.9	-16	-12	-11	-30	-30	-30	-50	-45	-40
YL18-2077S	1.414:1/ 1:1	-1.1	-17	-12	-10	-18	-13	-11	-40	-35	-30
YL18-2078S	1:1/ 1:1	-0.9	-16	-12	-11	-35	-33	-20	-50	-45	-40
YL18-2079S	1:1/ 1:1	-0.9	-18	-12	-11	-40	-	-30	-45	-45	-37
YL18-2080S	1:1/ 1:1	-1.0	-16	-12	-12	-42	-	-33	-45	-40	-35
YL18-2081S	1:1/ 1:1	-2.0	-18	-14	-12	-40	-35	-30	-50	-45	-40
YL18-2082S	1:1/ 1:1	-2.0	-18	-12	-12	-40	-35	-30	-45	-45	-37
YL18-2083S	1:1/ 1:1	-1.5	-18	-12	-12	-40	-35	-30	-45	-45	-37

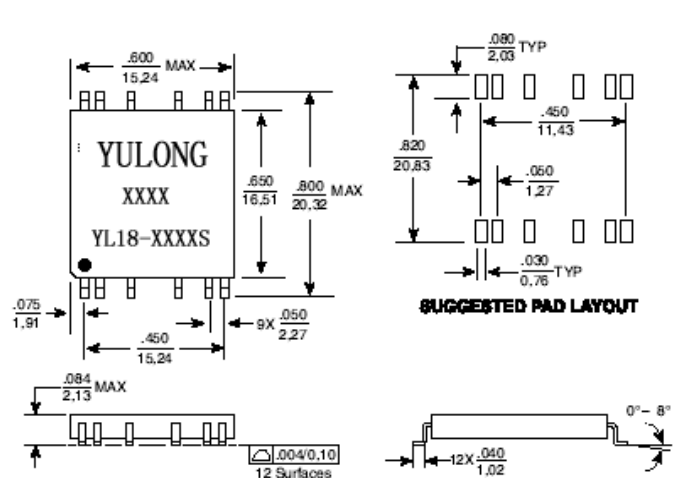
Note:YL18-2074S can be used for transmit or receive channels

Mechanicals

YL18-2071S 2072S

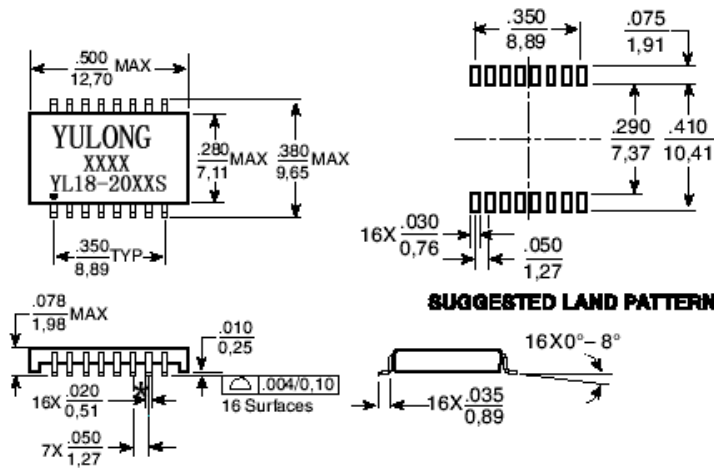


YL18-2073S

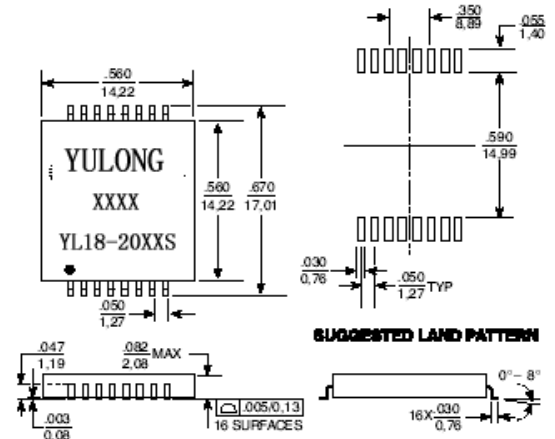


Mechanicals

YL18-2074S 2078S 2079S

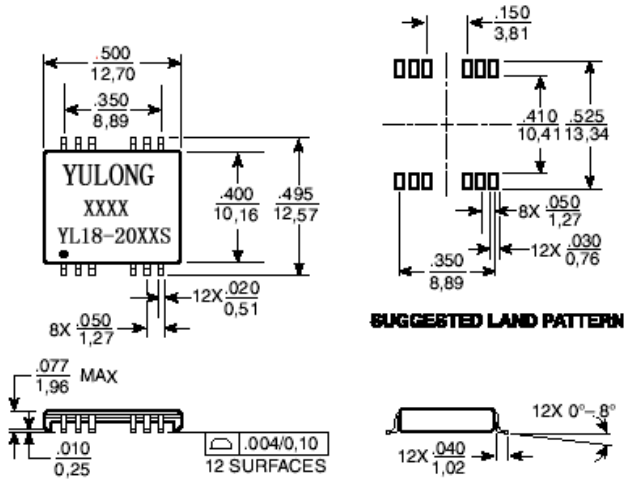


YL18-2075S 2076S 2077S

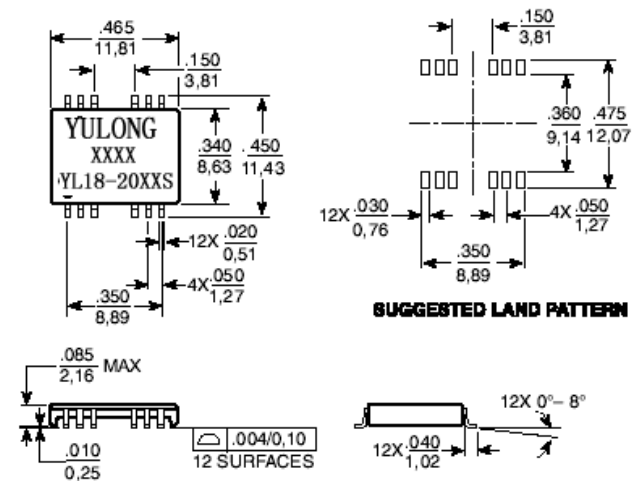


Note: the YL18-2079S has a Max height of .084" (0.22mm)

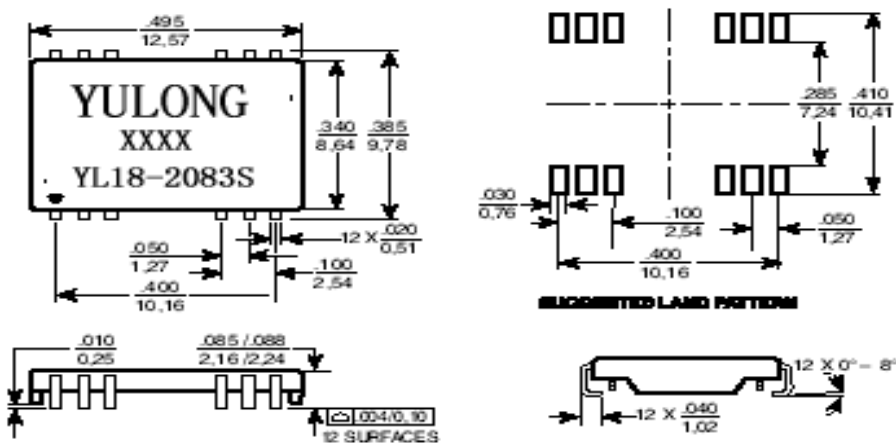
YL18-2080S



YL18-2081S 2082S



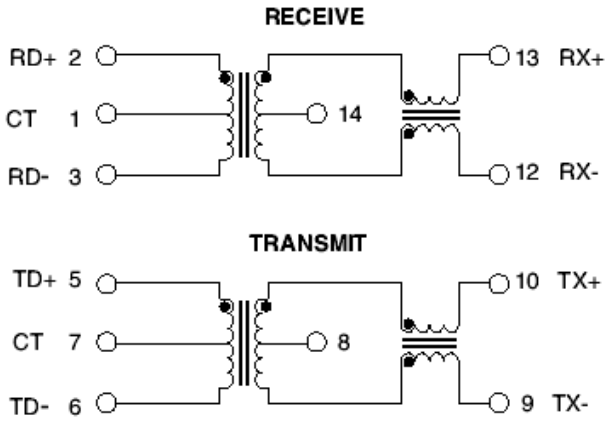
YL18-2083S



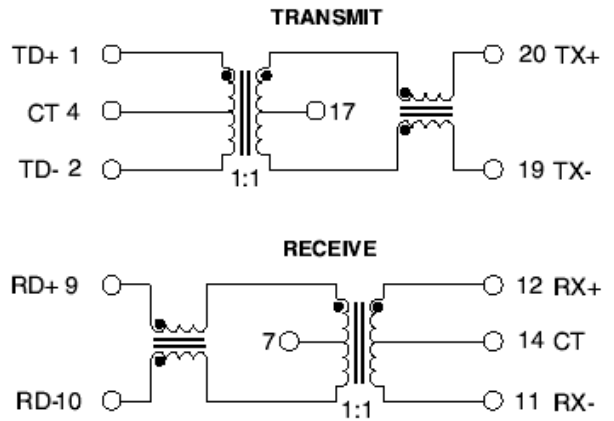
NOTE: Dimensions: inches/(mm) unless otherwise specified all tolerances are $\pm 0.010(0.25)$

Schematics

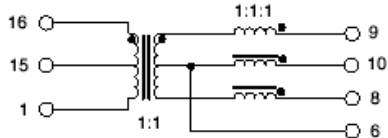
YL18-2071S 2072S



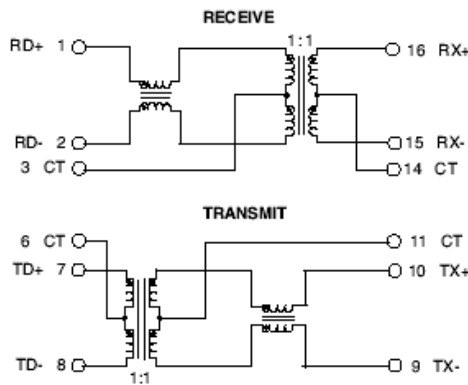
YL18-2073S



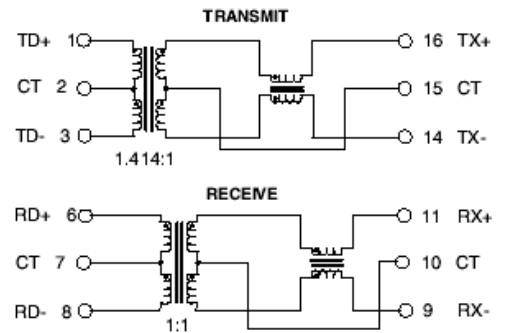
YL18-2074S



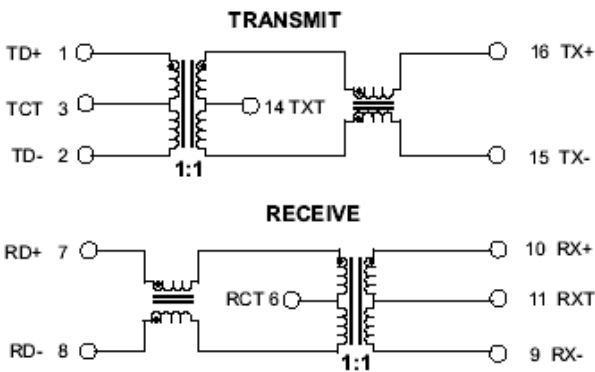
YL18-2075S 2076S 2078S 2079S 2082S



YL18-2077S



YL18-2080S



YL18-2081S 2083S

