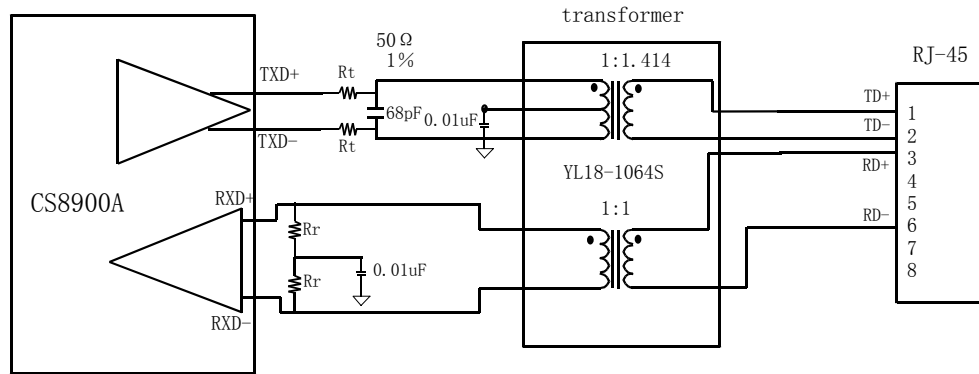
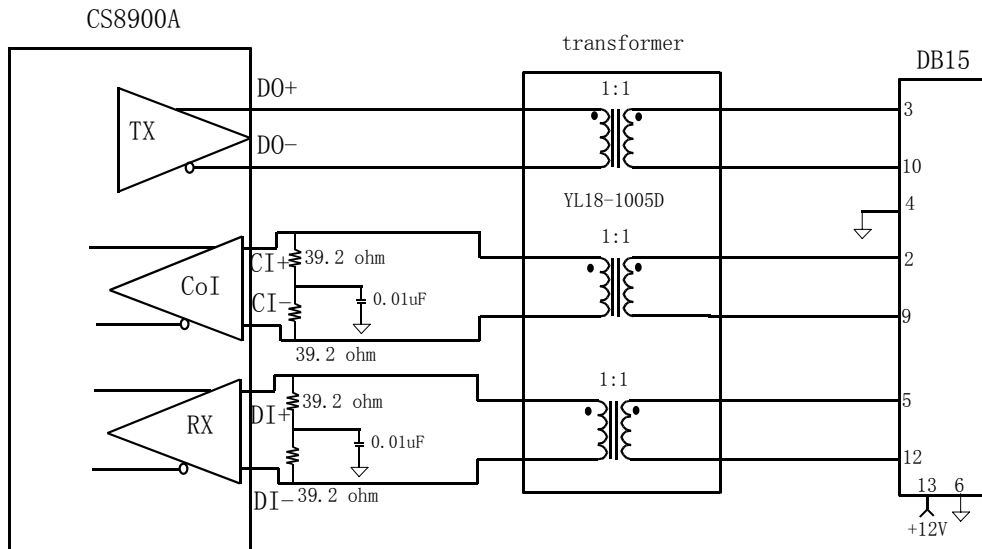


10BASE-T WIRING



For 3.3V operation the turns ratio on TX+ and TXD- is 1:2.5 (transformer: YL18-1080S), R_t is 8ohm for 100ohm cable and the 68pF cap changes to 560pF.

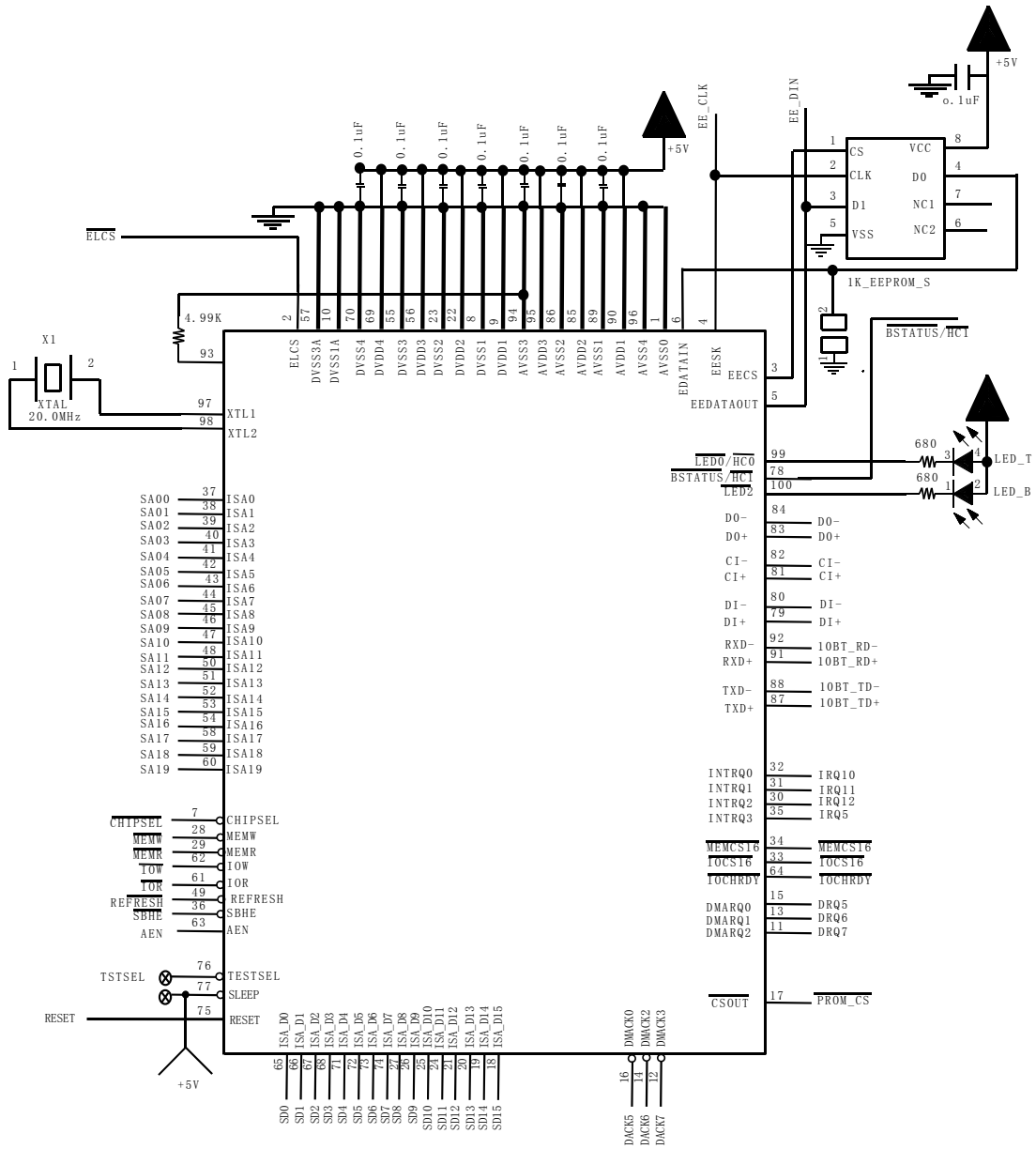
AUI WIRING



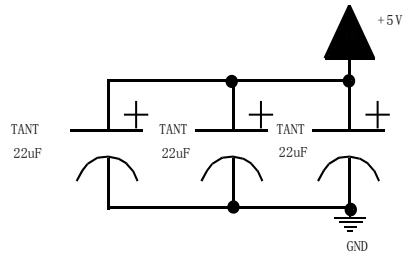
注：网络变压器 YL18-1080S, YL18-1064S, YL18-1005D 是裕泰电子公司的。

联系方式：0086-574-63620701

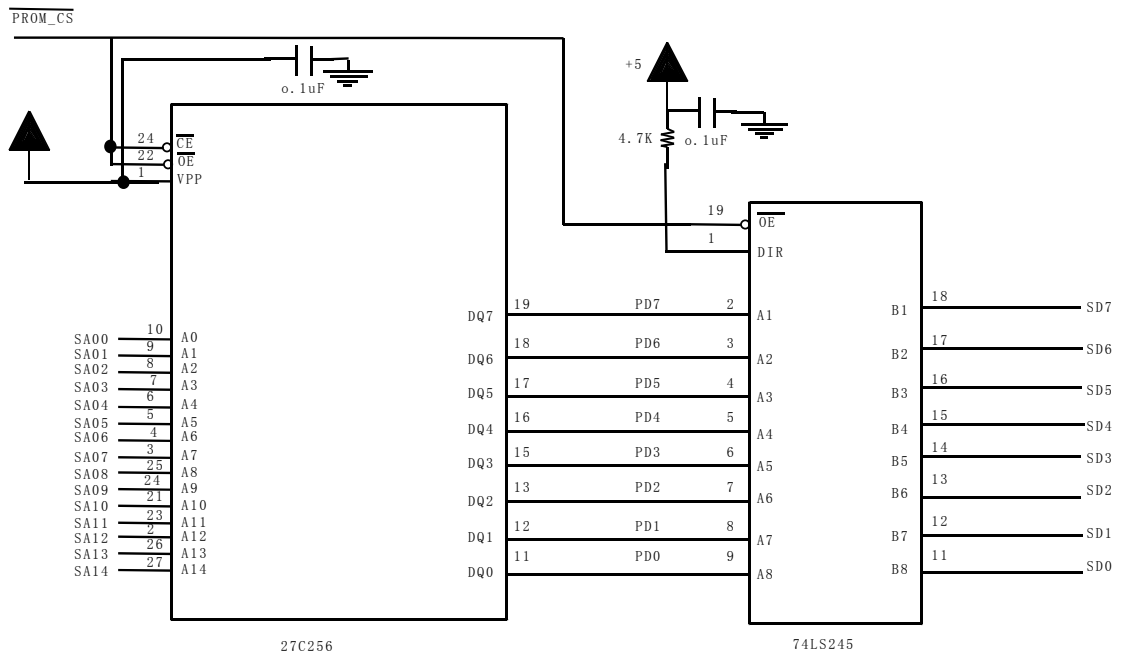
EMAIL: nico_yu@yeah.net



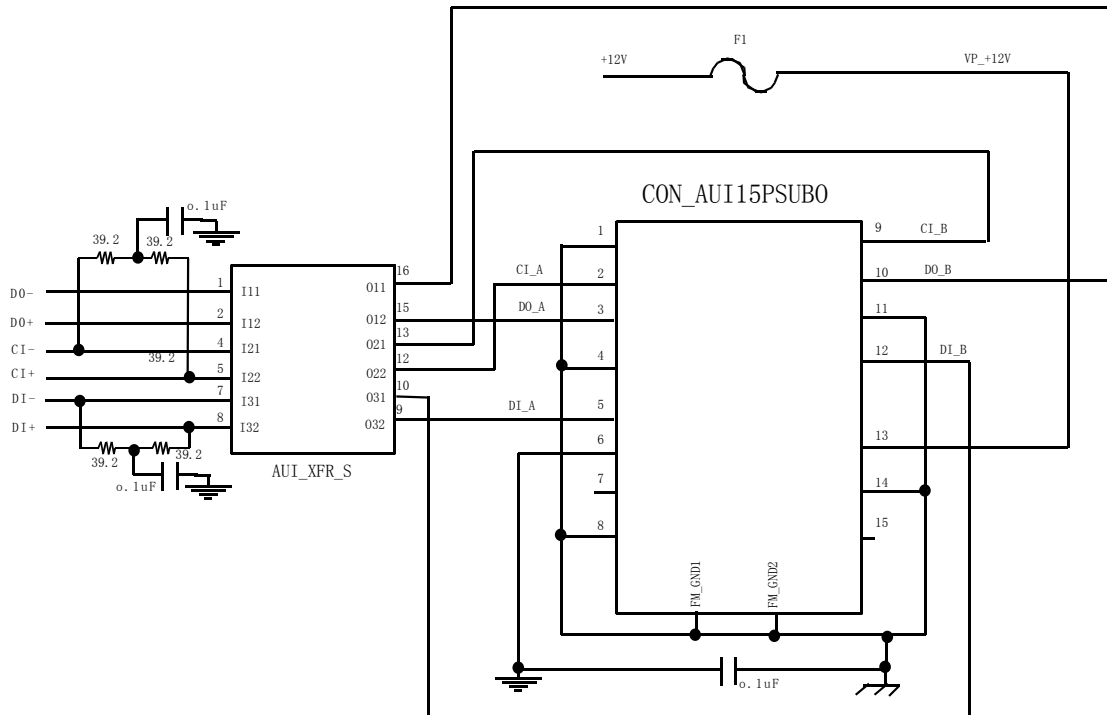
CS8900A Schematic (Combo Card Application)



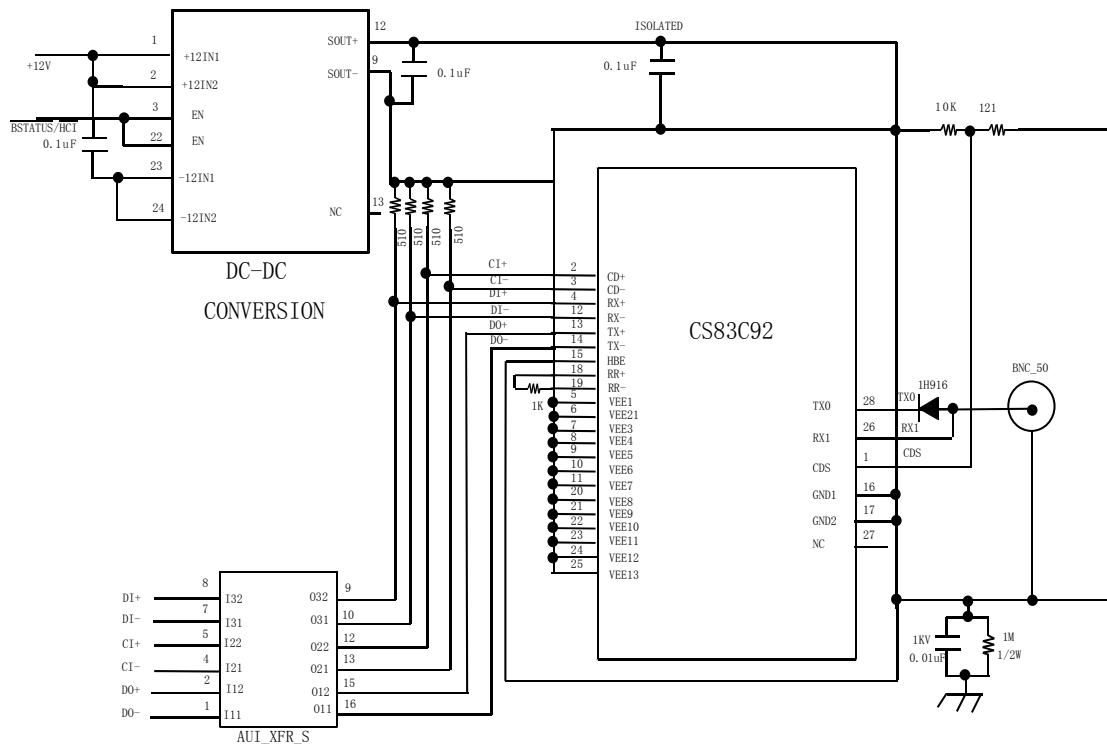
Power Supply Decoupling Schematic



Boot PROM Schematic



AUI Schematic



10BASE-2 Schematic