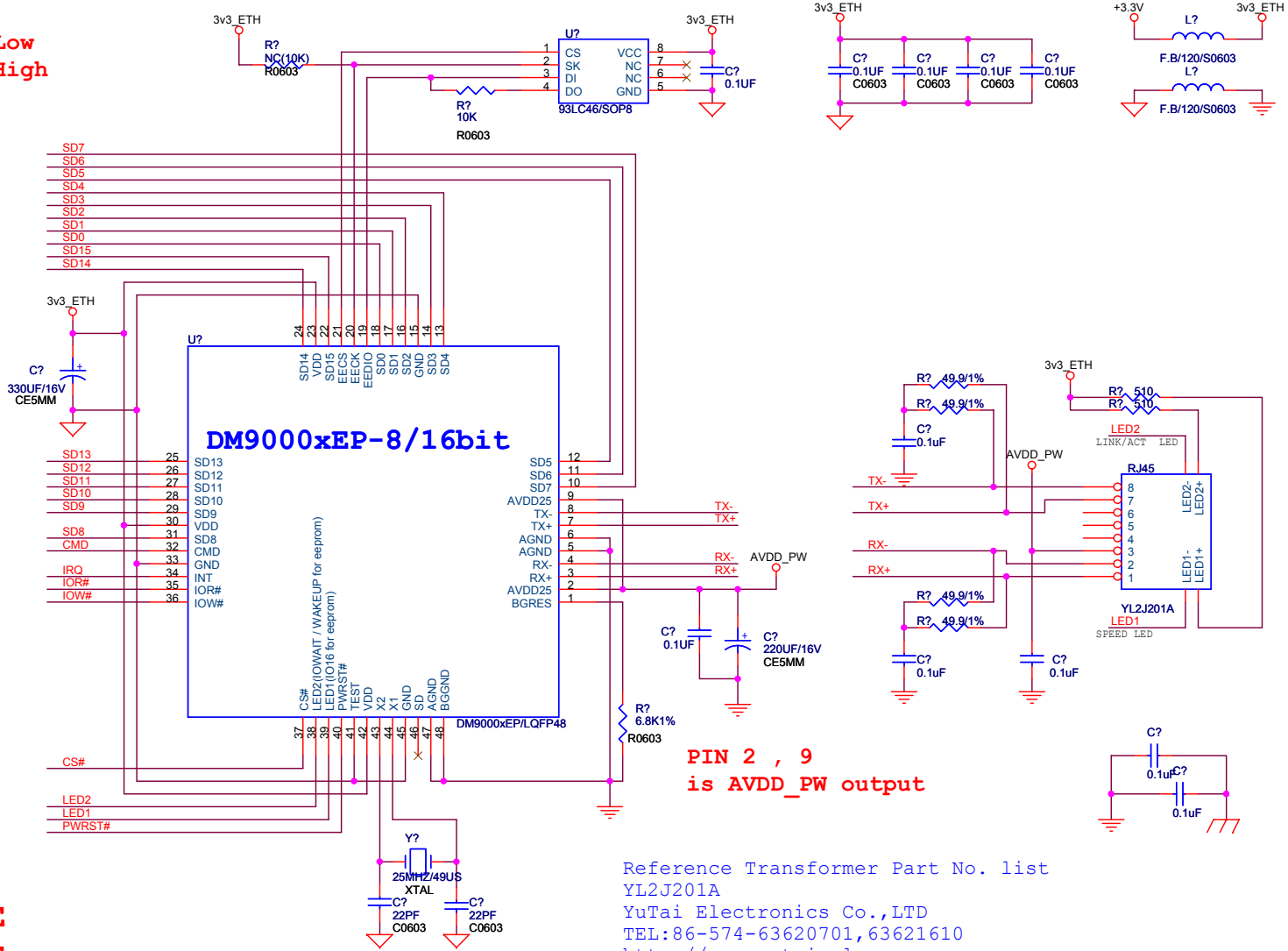
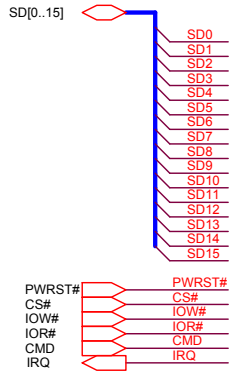


INT Active Output Select
 EECK Pull High INT Active Low
 EECK Not Pull INT Active High

Connect To CPU HOST Bus



PIN 2 , 9
 is AVDD_PW output

DM9000xEP 48PIN
CS# LOW ACTIVE
IOW# LOW ACTIVE
IOR# LOW ACTIVE
IOW# LOW ACTIVE
INT HIGH ACTIVE
PWRST# LOW ACTIVE

Reference Transformer Part No. list
 YL2J201A
 YuTai Electronics Co.,LTD
 TEL:86-574-63620701,63621610
<http://www.yutai-elec.com>
 EMAIL: nico_yu@yeah.net

Preliminary (for Reference Only)

Title		
DM9000xEP_DEMO		
Size	Document Number	Rev
B	DM9000xEP for uP 16bit_RJ45	3.0
Date:	Sheet	of