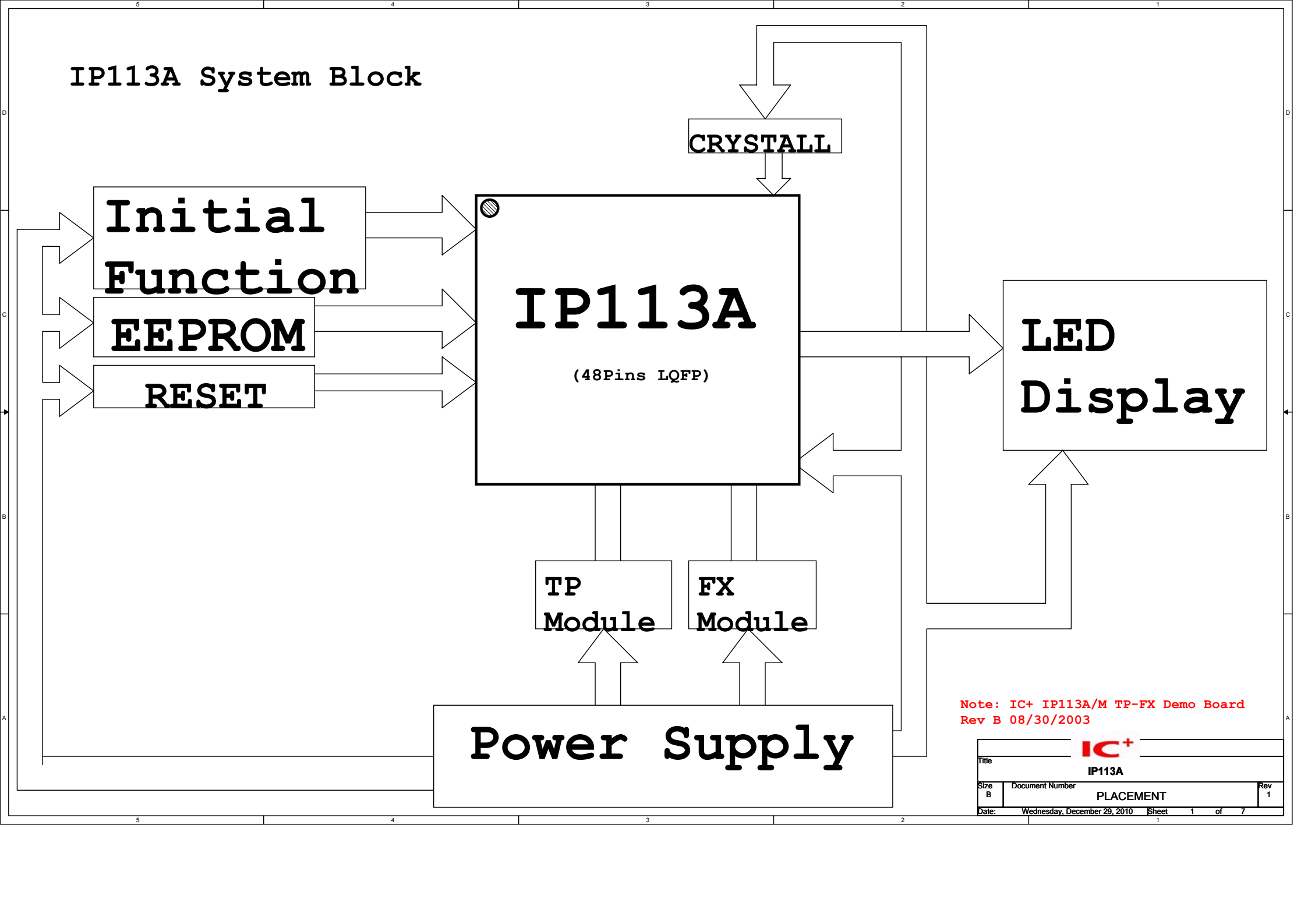
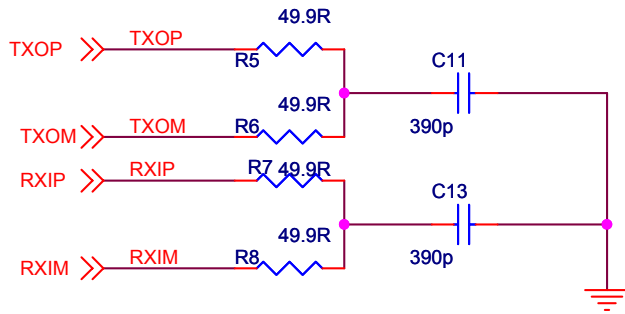


IP113A System Block

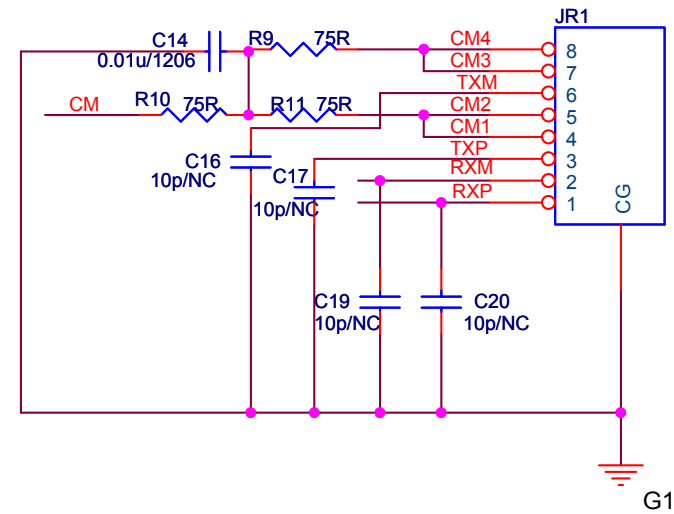


Note: IC+ IP113A/M TP-FX Demo Board
Rev B 08/30/2003

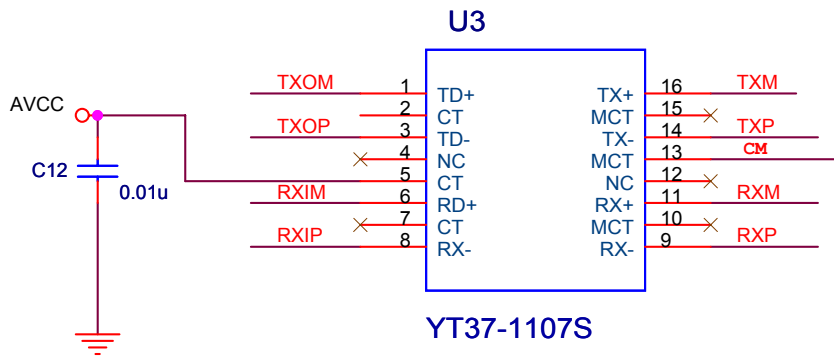
Title		IP113A	
Size	Document Number	Rev	
B	PLACEMENT	1	
Date:	Wednesday, December 29, 2010	Sheet	1 of 7



TRANSFORMER

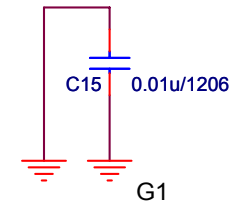


RJ45

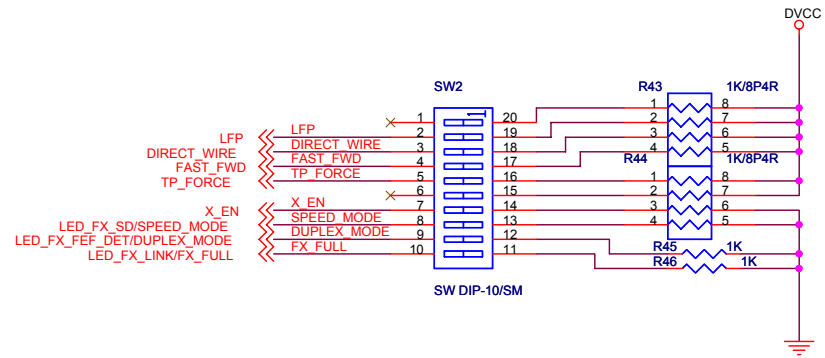
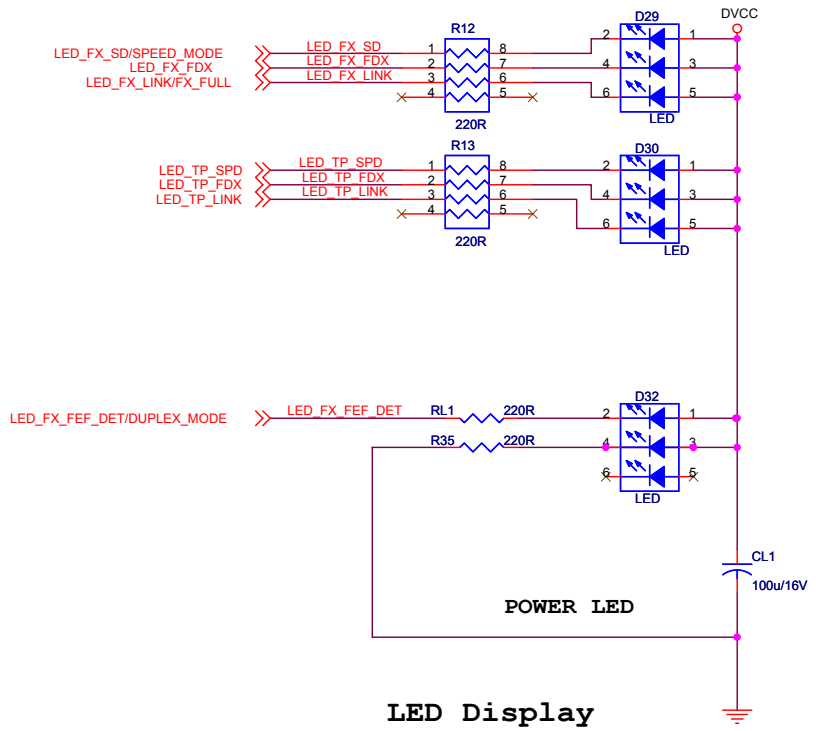


YT37-1107S

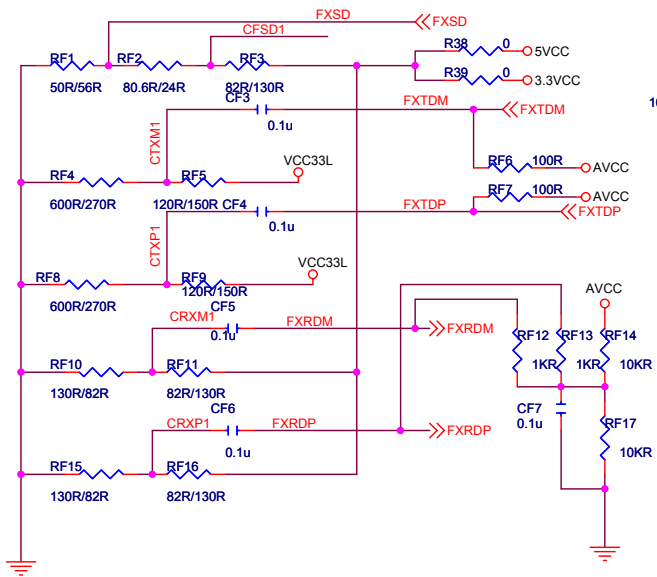
Reference Transformer Part
 No. list
 YT37-1107S
 YuTai Electronics Co.,LTD
 TEL:86-574-63620701,63621610
<http://www.yutai-elec.com>
 EMAIL: nico_yu@yeah.net



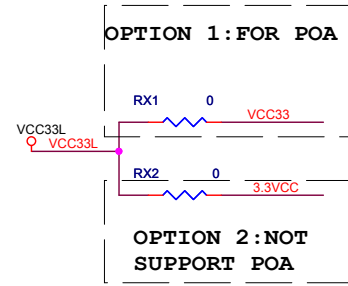
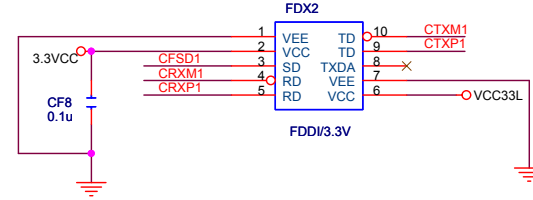
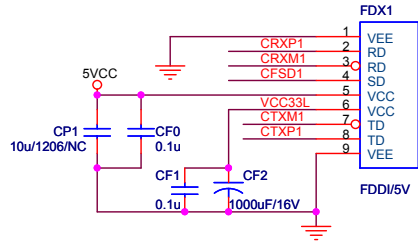
IC+		
Title IP113A		
Size A	Document Number Transformer ; RJ45	Rev 1
Date:	Wednesday, December 29, 2010	Sheet 3 of 7



IC⁺		
IP113A		
Title	LED ; SEETING FUNCTION	
Size B	Document Number	Rev 1
Date:	Wednesday, December 29, 2010	Sheet 4 of 7

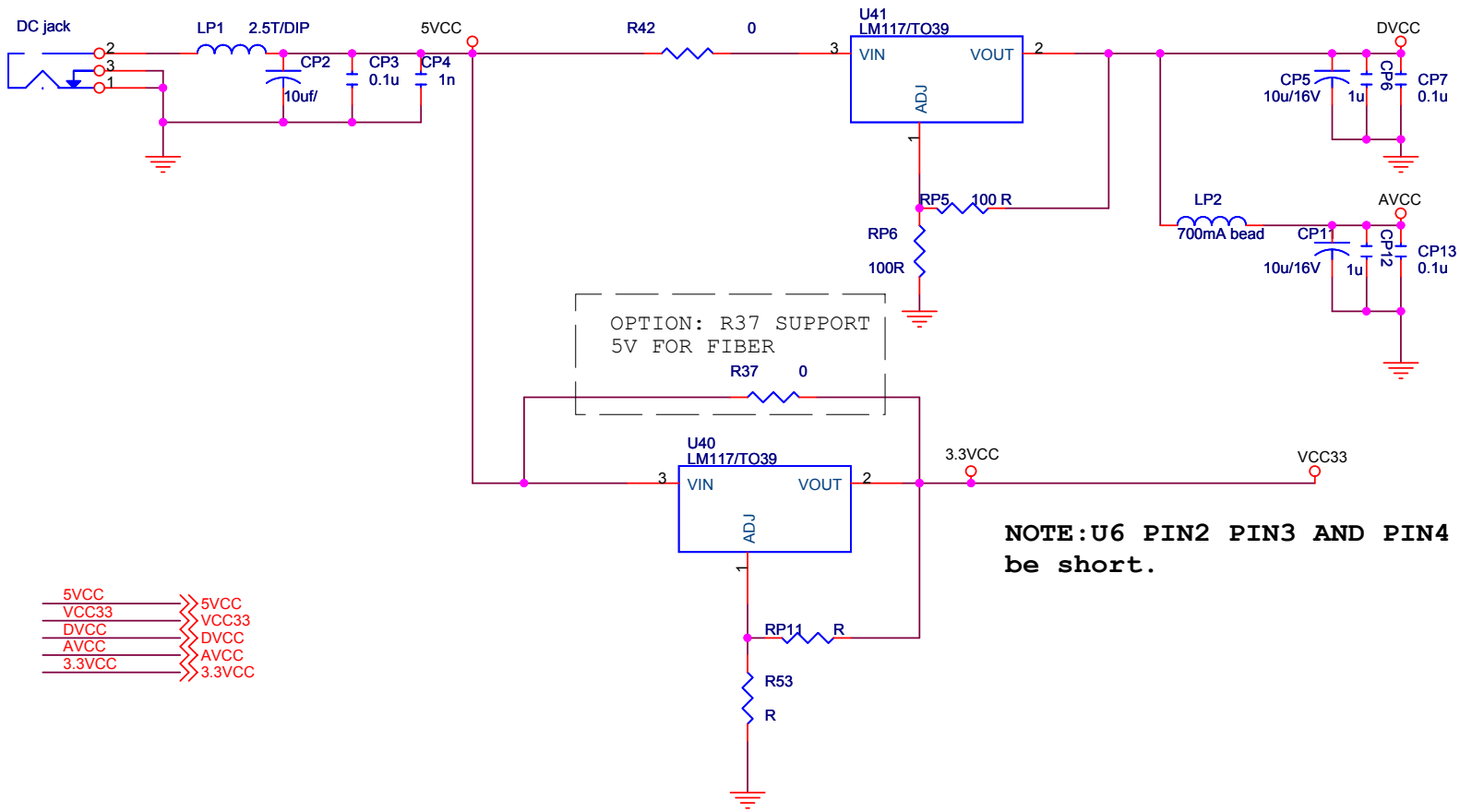


NOTE: Above register (5 V FIBER REGISTER / 3.3V FIBER REGISTER)



IC+		
Title		
IP113M		
Size	Document Number	Rev
B	FX_FIBER	1
Date:	Wednesday, December 29, 2010	Sheet 5 of 7

NOTE1: 1.SUPPORT 3.3 V : ADD RP11,R53,U40 REMOVE R37
 2.SUPPORT 5 V : ADD R37 ; REMOVE RP11 ,R53 ,U40



NOTE:U6 PIN2 PIN3 AND PIN4 must be short.

IC+	
Title	
IP113A	
Size	Document Number
Custom	POWER
Date:	Wednesday, December 29, 2010
Sheet	6 of 7
Rev	1