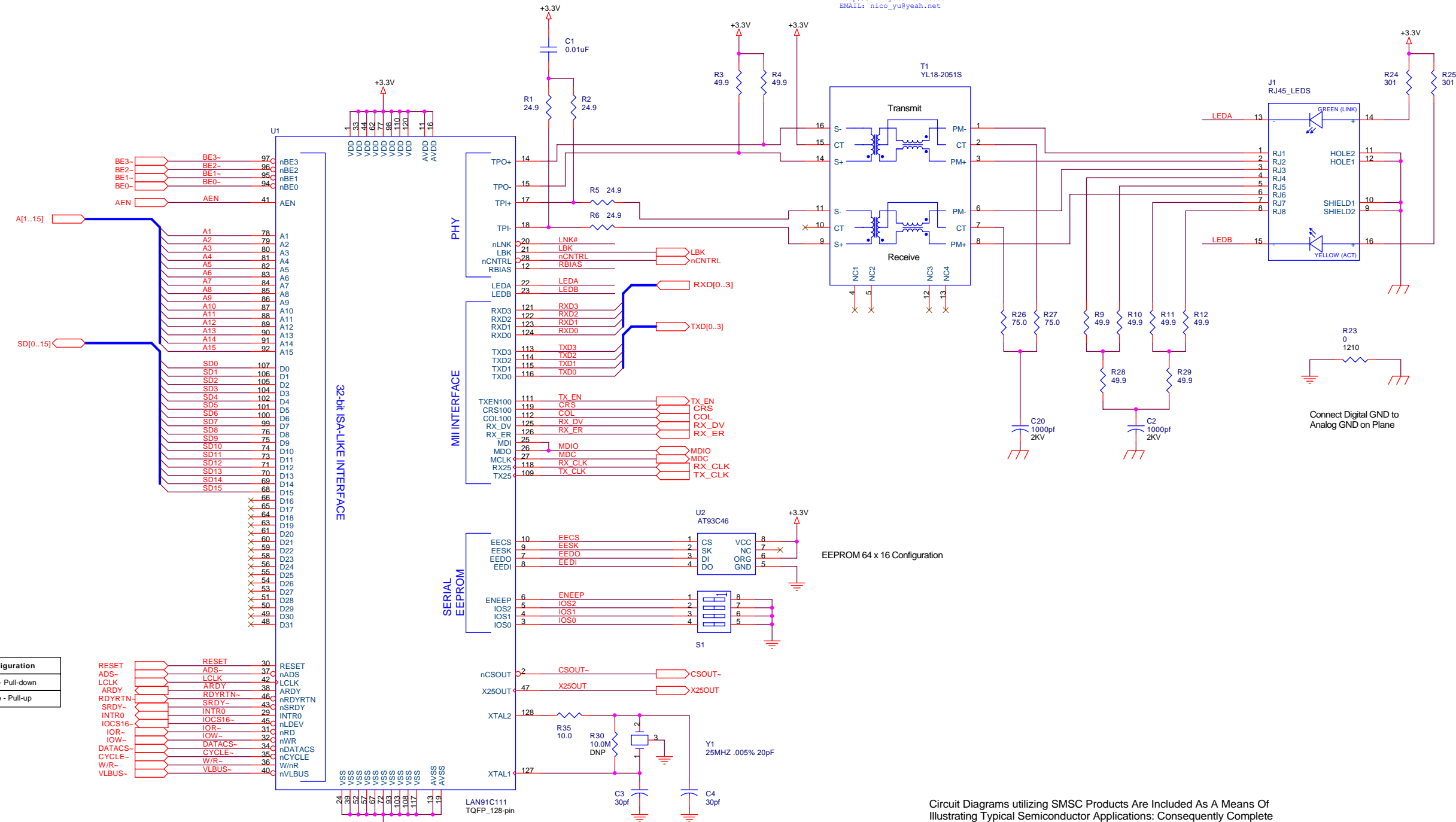


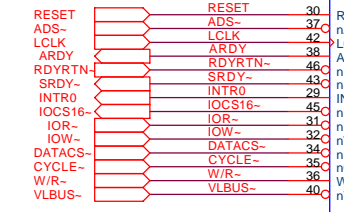
SMSC LAN91C111 Evaluation Design

Assembly No. 6173 Revision C1

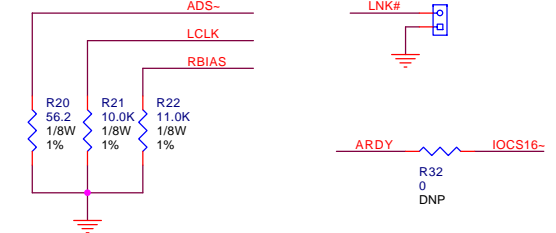
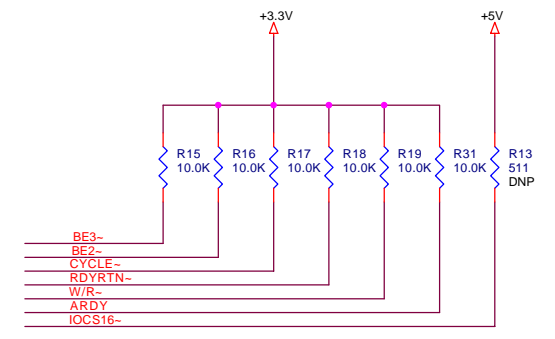
Reference Transformer Part No. list
 YL18-2051S
 YuTai Electronics Co.,LTD
 TEL:86-574-63620701,63621610
 http://www.yutai-elec.com
 EMAIL: nico_yu@yeah.net



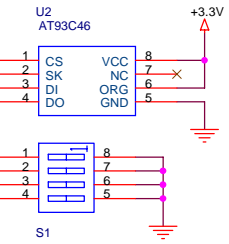
LCLK Configuration	
16-Bit Mode - Pull-down	
32-Bit Mode - Pull-up	



Pull-ups / Pull-downs



EEPROM 64 x 16 Configuration



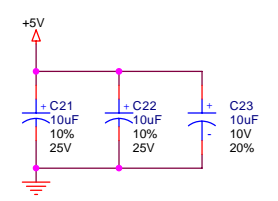
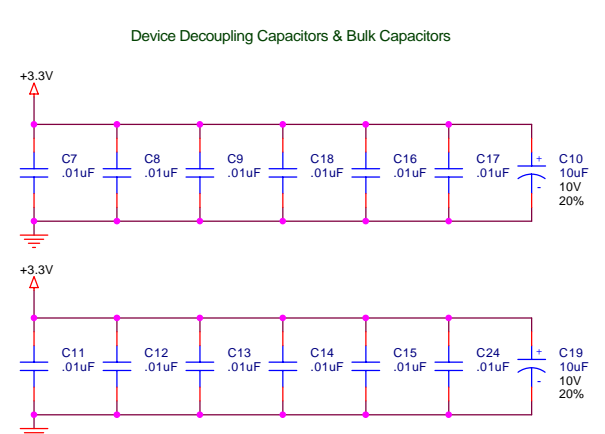
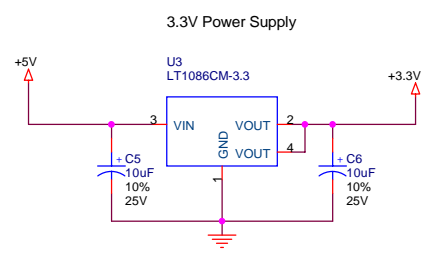
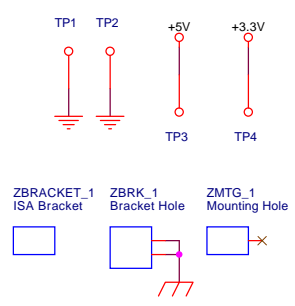
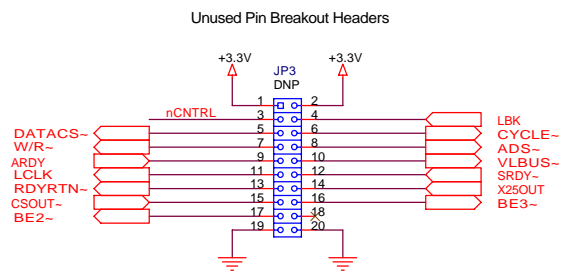
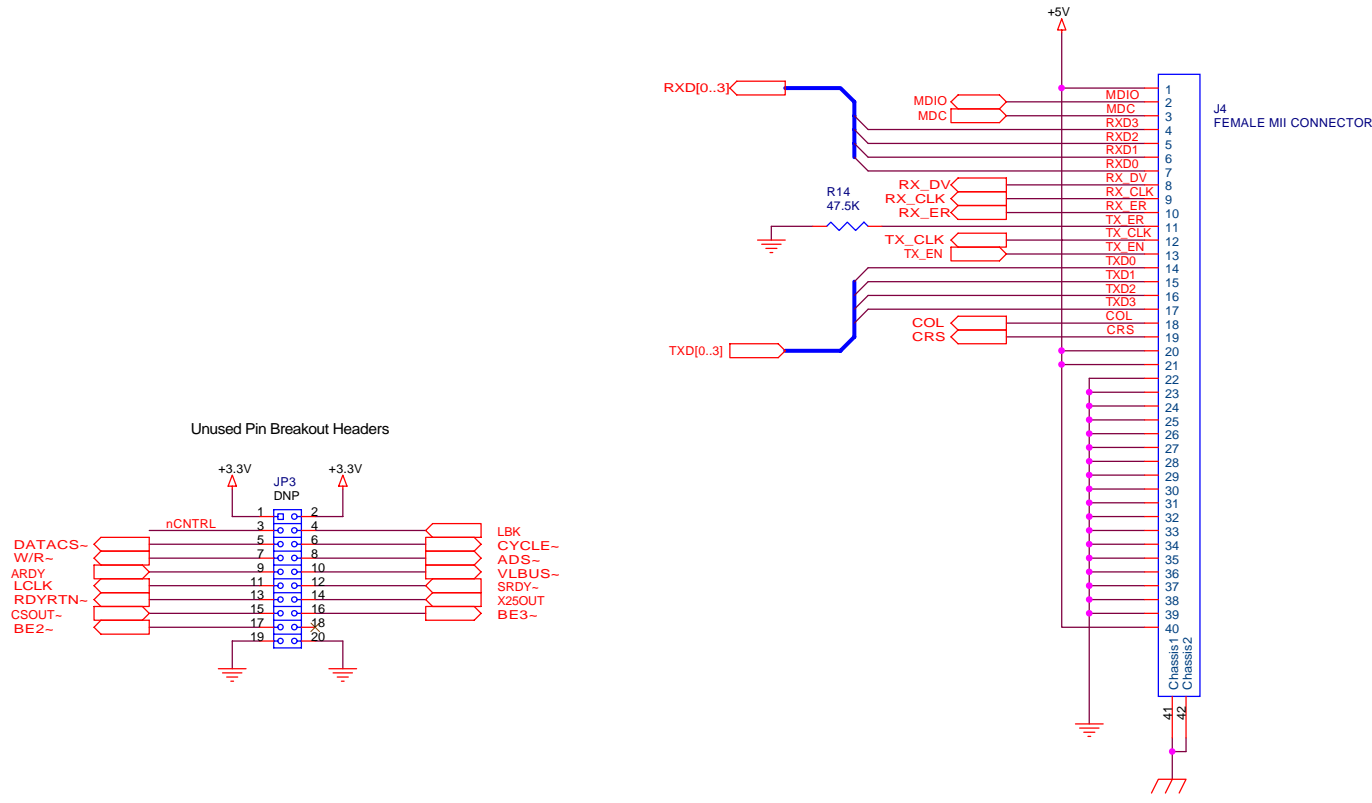
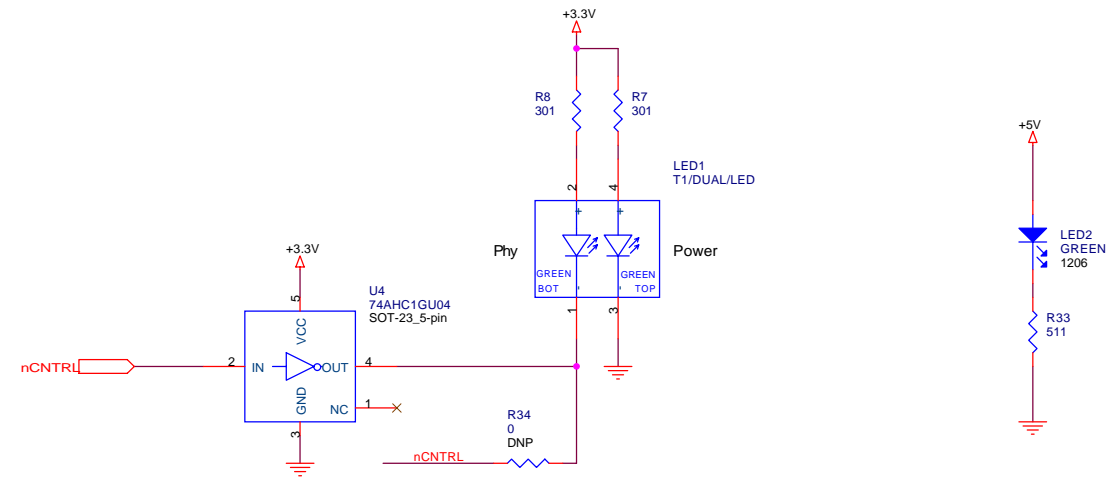
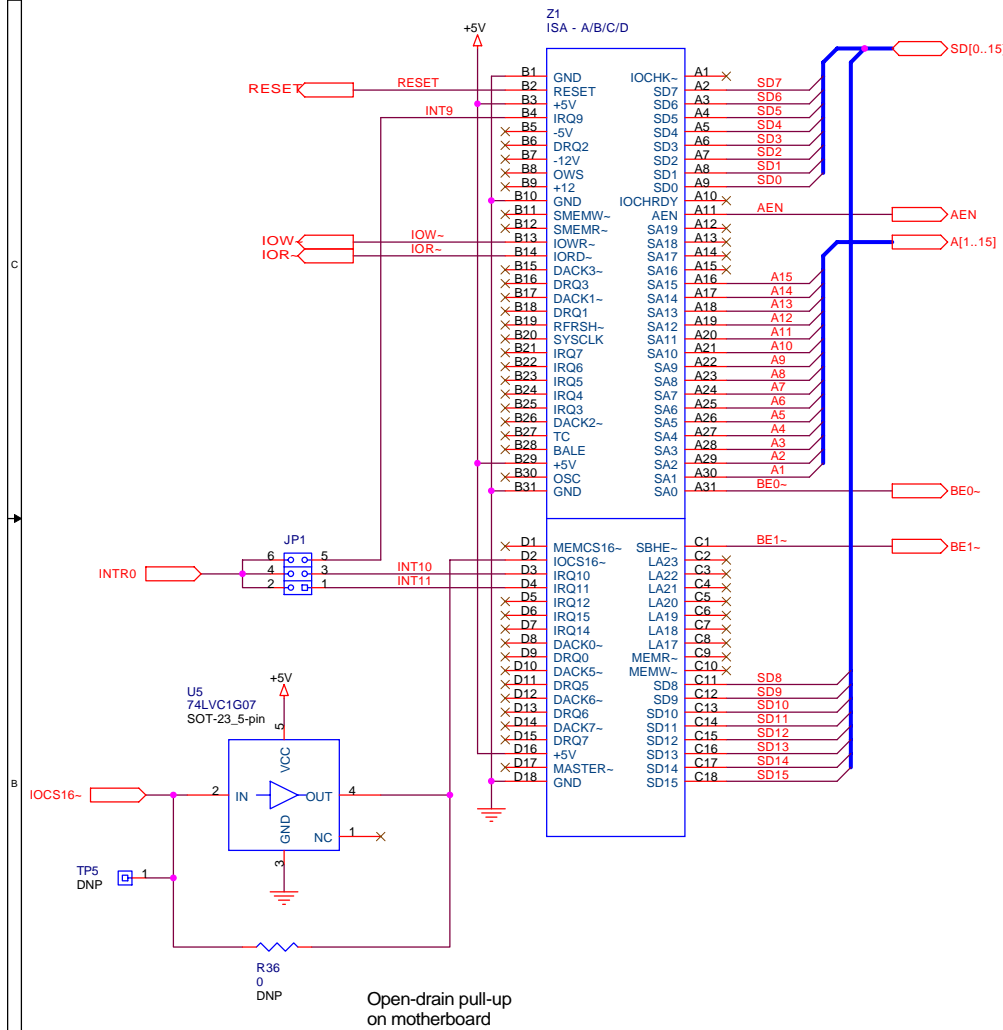
Circuit Diagrams utilizing SMSC Products Are Included As A Means Of Illustrating Typical Semiconductor Applications; Consequently Complete Information Sufficient For Construction Purposes Is Not Necessarily Given. The Information Has Been Carefully Checked And Is Believed To Be Entirely Reliable. However, No Responsibility Is Assumed For Inaccuracies. Furthermore, Such Information Does Not Convey To The Purchaser Of The Semiconductor Devices Described Any License Under The Patent Rights Of SMSC Or Others. SMSC Reserves The Right To Make Changes At Any Time In Order To Improve Design And Supply The Best Product Possible.


Title: LAN91C111 Evaluation Board

Size: C	Engineer:	Assembly No.: 6173	Rev: C1
Date: Thursday, April 26, 2007	Sheet: 1 of 2		

SMSC LAN91C111 Evaluation Design

Assembly No. 6173 Revision C1



			
Title: LAN91C111 Evaluation Board			
Size: C	Engineer:	Assembly No.: 6173	Rev: C1
Date: Thursday, April 26, 2007		Sheet 2 of 2	