


LAN9220 Reference Design

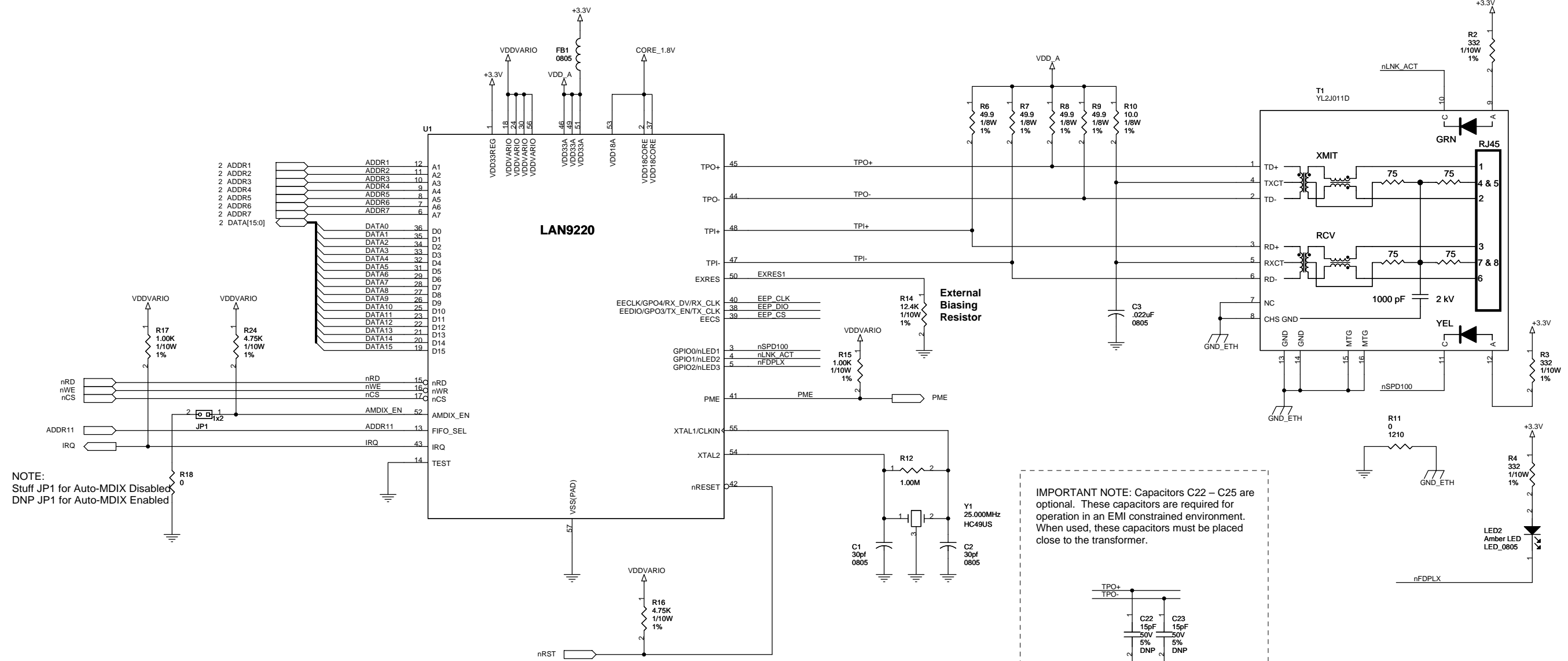
Revision 1.4

Circuit Diagrams utilizing SMSC Products Are Included As A Means Of Illustrating Typical Semiconductor Applications: Consequently Complete Information Sufficient For Construction Purposes Is Not Necessarily Given. The Information Has Been Carefully Checked And Is Believed To Be Entirely Reliable. However, No Responsibility Is Assumed For Inaccuracies. Furthermore, Such Information Does Not Convey To The Purchaser Of The Semiconductor Devices Described Any License Under The Patent Rights Of SMSC Or Others. SMSC Reserves The Right To Make Changes At Any Time In Order To Improve Design And Supply The Best Product Possible.

ITEM	Page(s)
Title Page	1
LAN9220	2

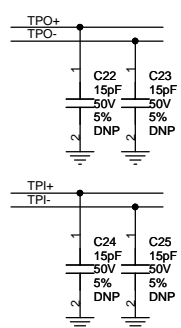
			
Title			
Title Page			
Size C	Engineer	Assembly No.	Rev 1.4
Date: Friday, August 15, 2008		Sheet 1 of 2	

Reference Transformer Part No. list
 YL2011D
 YuTai Electronics Co., LTD
 TEL:86-574-63620701; 63621610
 http://www.yutai-elec.com
 EMAIL: nico_yu@yeah.net

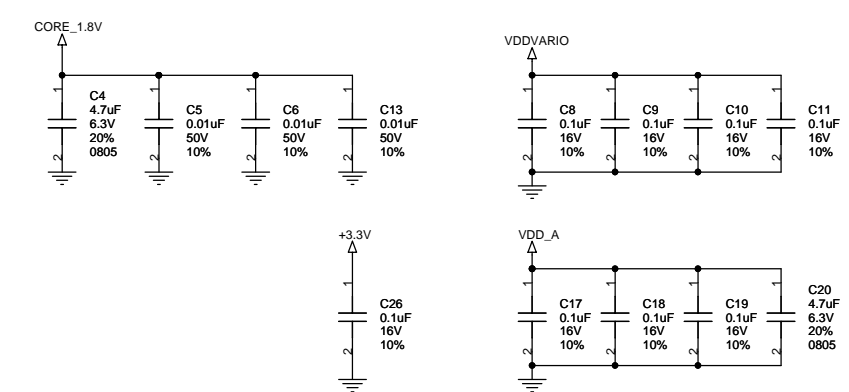


NOTE:
 Stuff JP1 for Auto-MDIX Disabled
 DNP JP1 for Auto-MDIX Enabled

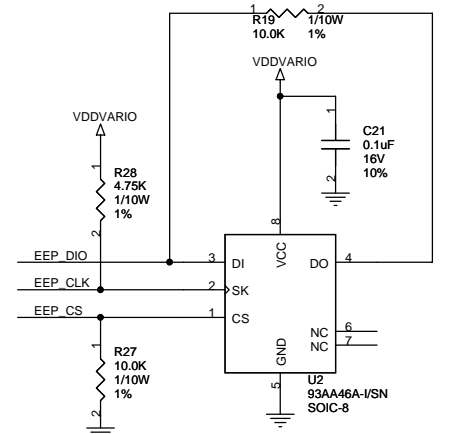
IMPORTANT NOTE: Capacitors C22 – C25 are optional. These capacitors are required for operation in an EMI constrained environment. When used, these capacitors must be placed close to the transformer.



Decoupling Capacitors



MAC EEPROM (Optional)



Title LAN9220
Size C
Engineer
Assembly No.
Rev 1.4
Date: Friday, August 15, 2008
Sheet 2 of 2