


LAN9500/LAN9500A Reference Design

Schematic Revision 2.4

Circuit Diagrams utilizing SMSC Products Are Included As A Means Of Illustrating Typical Semiconductor Applications: Consequently Complete Information Sufficient For Construction Purposes Is Not Necessarily Given. The Information Has Been Carefully Checked And Is Believed To Be Entirely Reliable. However, No Responsibility Is Assumed For Inaccuracies. Furthermore, Such Information Does Not Convey To The Purchaser Of The Semiconductor Devices Described Any License Under The Patent Rights Of SMSC Or Others. SMSC Reserves The Right To Make Changes At Any Time In Order To Improve Design And Supply The Best Product Possible.

ITEM	Page
Title Page	1
LAN9500/LAN9500A, USB, Ethernet	2

			
Title: LAN9500/LAN9500A Reference Design			
Size: C	Engineer: R.W.	Assembly No.: LAN9500/LAN9500A	Rev: 2.4
Date: Thursday, December 10, 2009		Sheet 1 of 2	

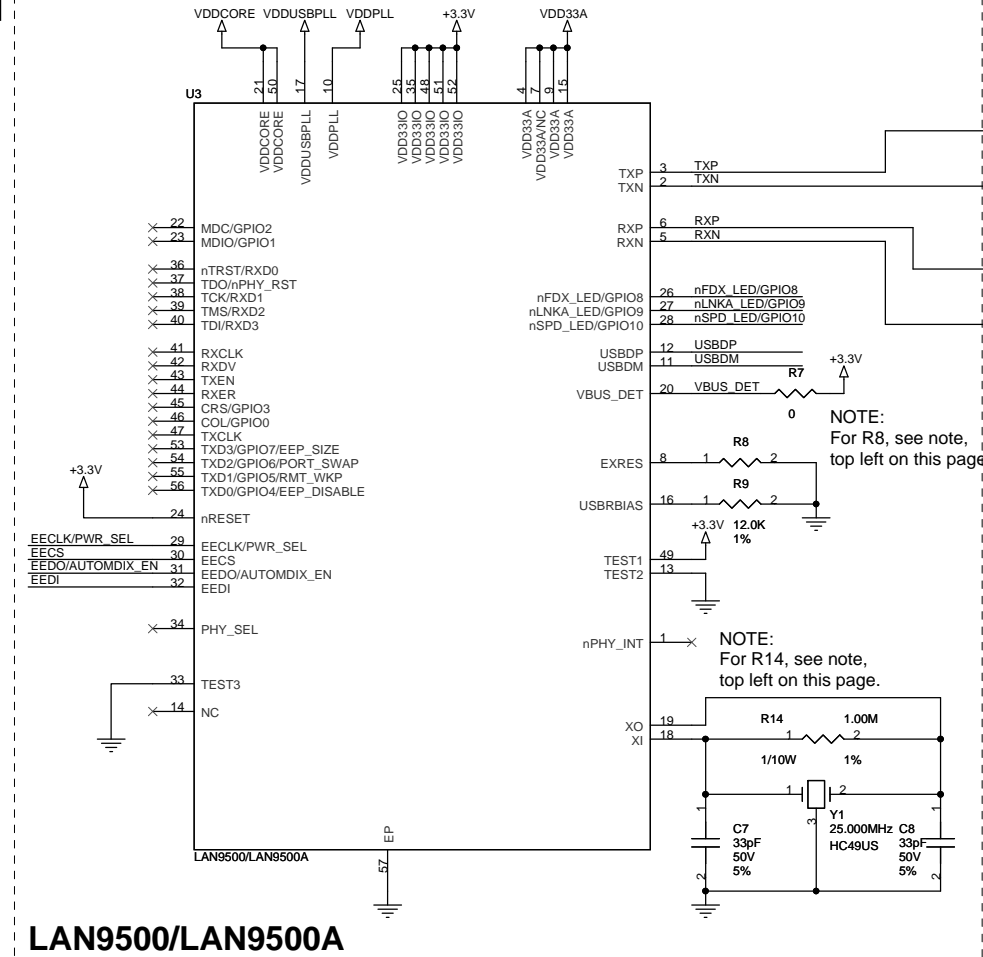
NOTE:
Populate R6, R8 and R14 according
to table below.

U3	R6	R8	R14
LAN9500	10 ohm 1%	12.4K 1%	1.0 M 1%
LAN9500A	0 ohm	12.0K 1%	DNP

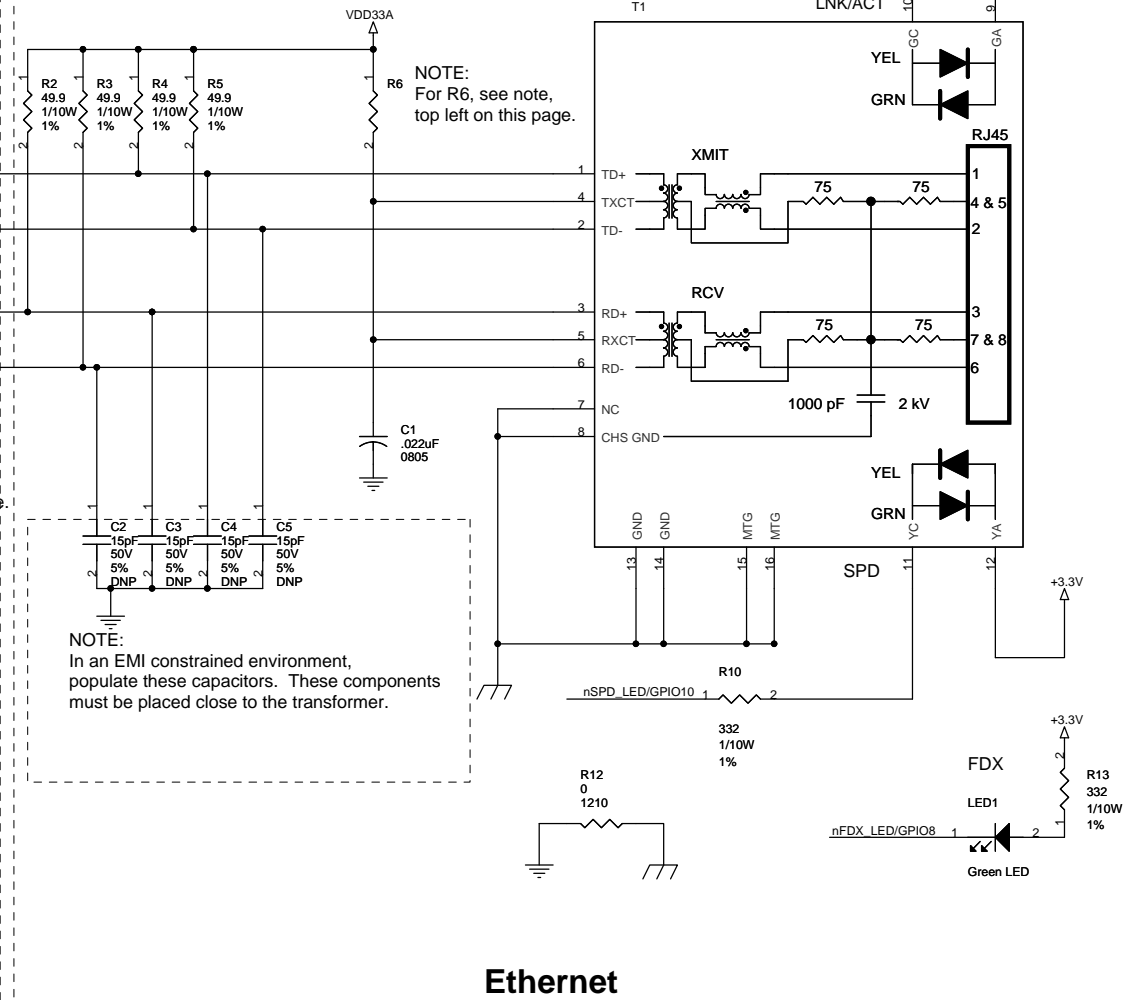
NOTE:
Pin 7 is a no-connect (NC) for LAN9500A, but may be
connected to VDD33A for backward compatibility with
LAN9500 designs.

NOTE:
Place R2-R5 near LAN9500A.
Place R6 and C1 near transformer.

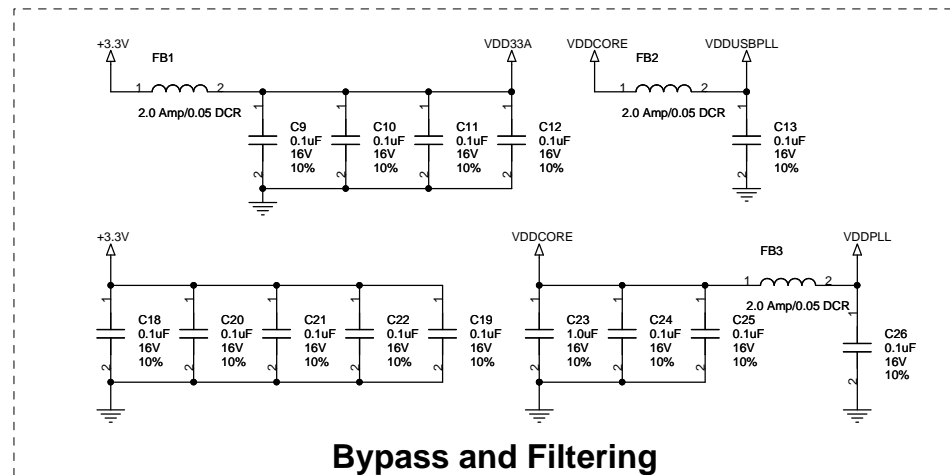
Reference Transformer Part No. list
YL2011D
YuTai Electronics Co.,LTD
TEL:86-574-63620701,63621610
http://www.yutai-elec.com
EMAIL: nico_yu@yeah.net



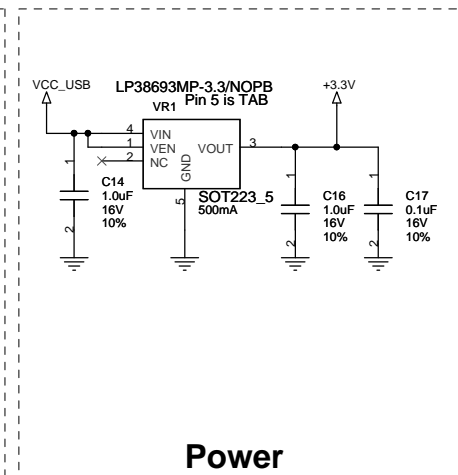
LAN9500/LAN9500A



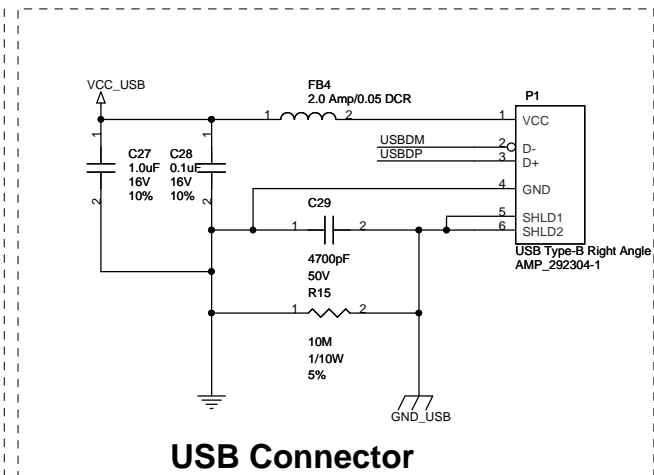
Ethernet



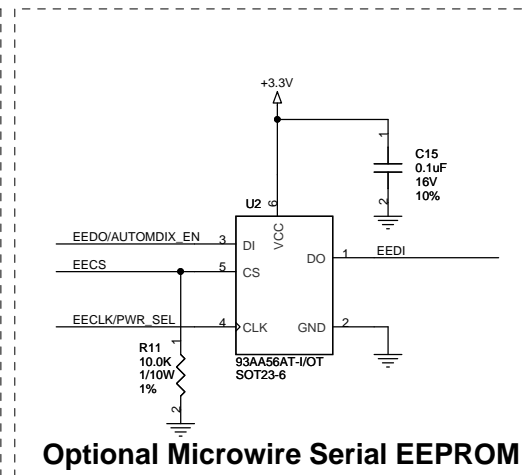
Bypass and Filtering



Power



USB Connector



Optional Microwire Serial EEPROM