


LAN9512i Reference Design

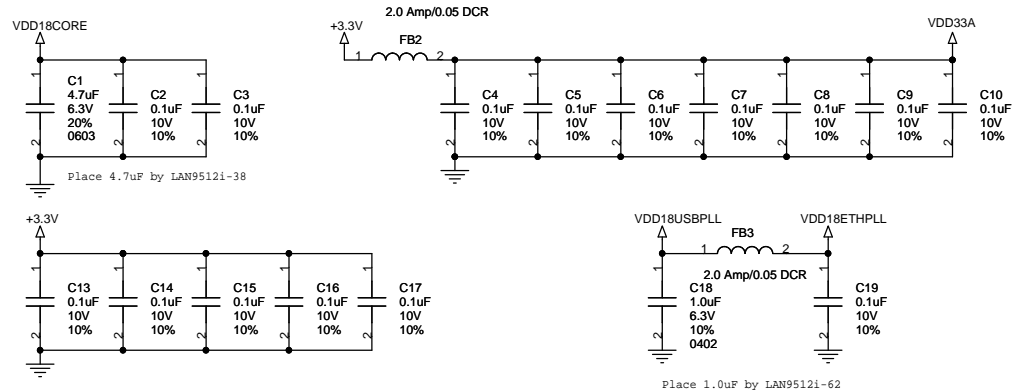
Schematic Revision 1.2

Circuit Diagrams utilizing SMSC Products Are Included As A Means Of Illustrating Typical Semiconductor Applications: Consequently Complete Information Sufficient For Construction Purposes Is Not Necessarily Given. The Information Has Been Carefully Checked And Is Believed To Be Entirely Reliable. However, No Responsibility Is Assumed For Inaccuracies. Furthermore, Such Information Does Not Convey To The Purchaser Of The Semiconductor Devices Described Any License Under The Patent Rights Of SMSC Or Others. SMSC Reserves The Right To Make Changes At Any Time In Order To Improve Design And Supply The Best Product Possible.

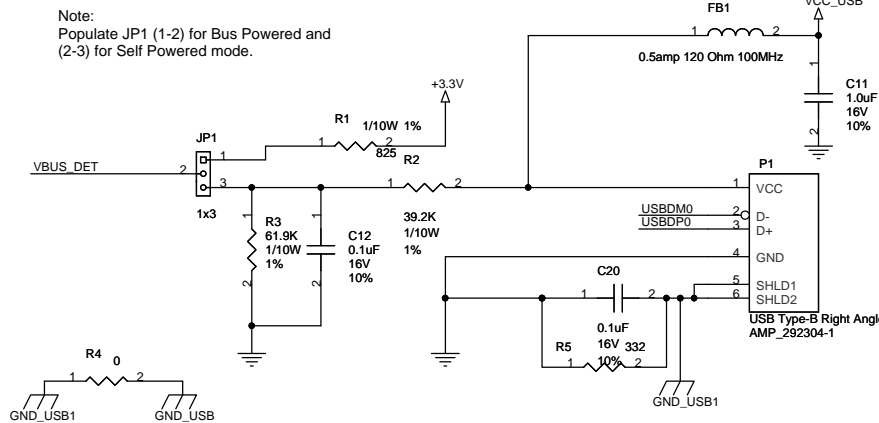
ITEM	Page
Title Page	1
LAN9512i	2

			
Title Title Page			
Size C	Engineer R W.	Assembly No. LAN9512i	Rev 1.2
Date: Friday, December 11, 2009		Sheet 1 of 2	

Power Supply Filtering LAN9512i

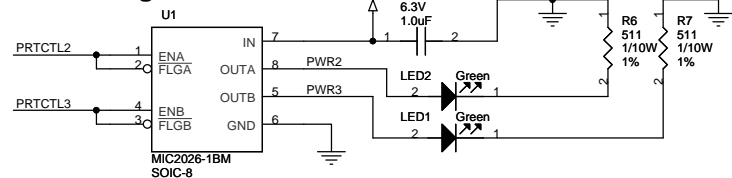


Upstream

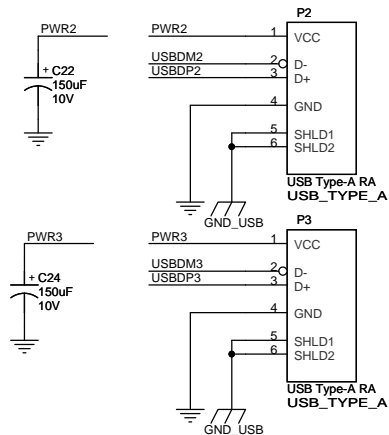


Note:
External 5V DC supply and 3.3V regulator is not shown on reference design.

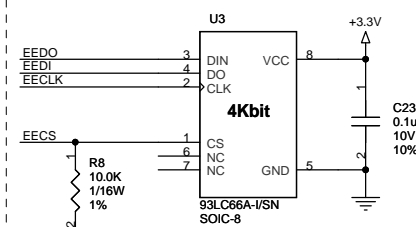
Power Switching Downstream



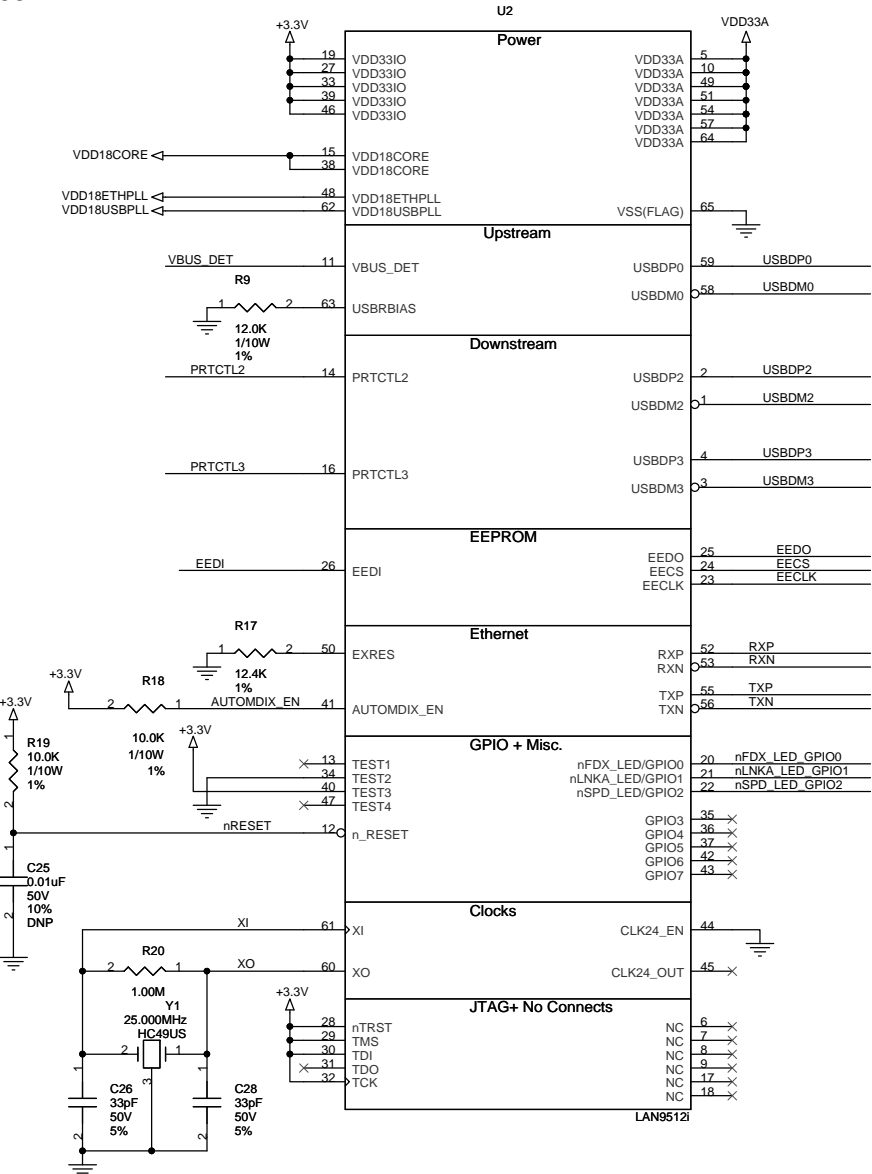
Downstream



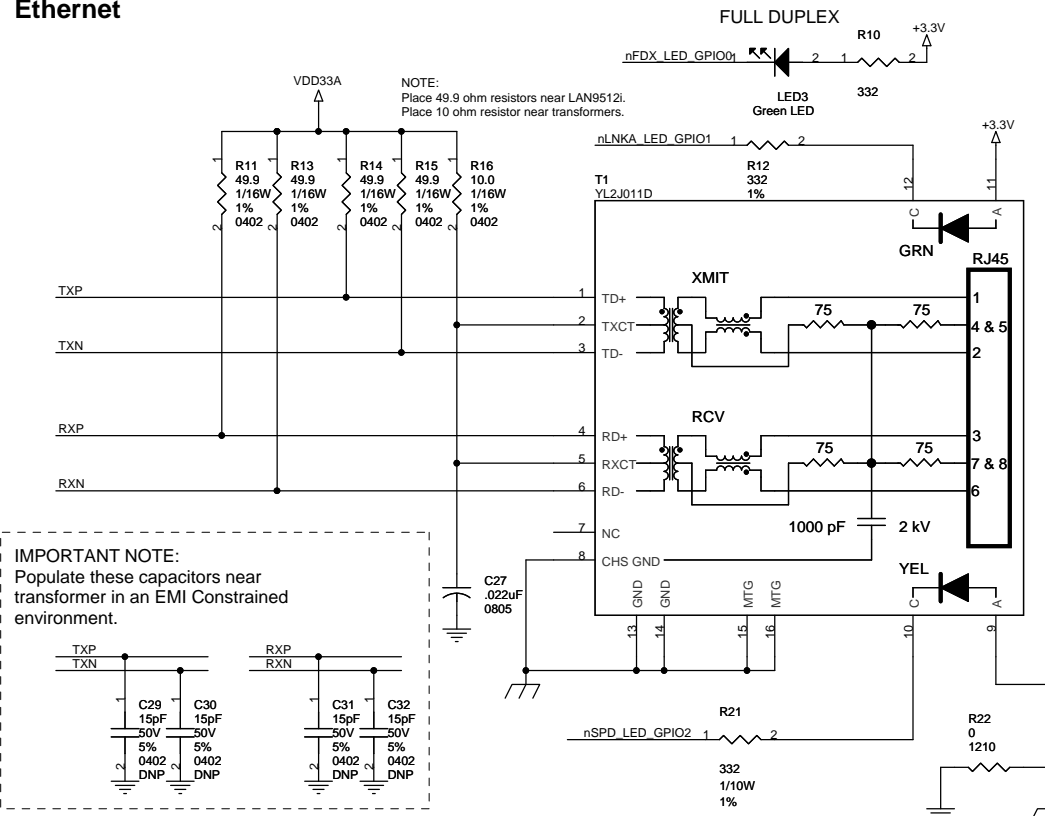
Optional Microwire EEPROM



LAN9512i



Ethernet



IMPORTANT NOTE:
Populate these capacitors near transformer in an EMI Constrained environment.

Reference Transformer Part No. list
YL2011D
Yutai Electronics Co., LTD
TEL: 86-574-63620701, 63621610
http://www.yutai-elec.com
EMAIL: nico_yu@yeah.net



Title LAN9512i			
Size C	Engineer R.W.	Assembly No. LAN9512i	Rev 1.2
Date: Monday, December 14, 2009	Sheet 2 of 2		