

100/1000BASE-T Magnetics Modules

YT18-3003SI

Features:

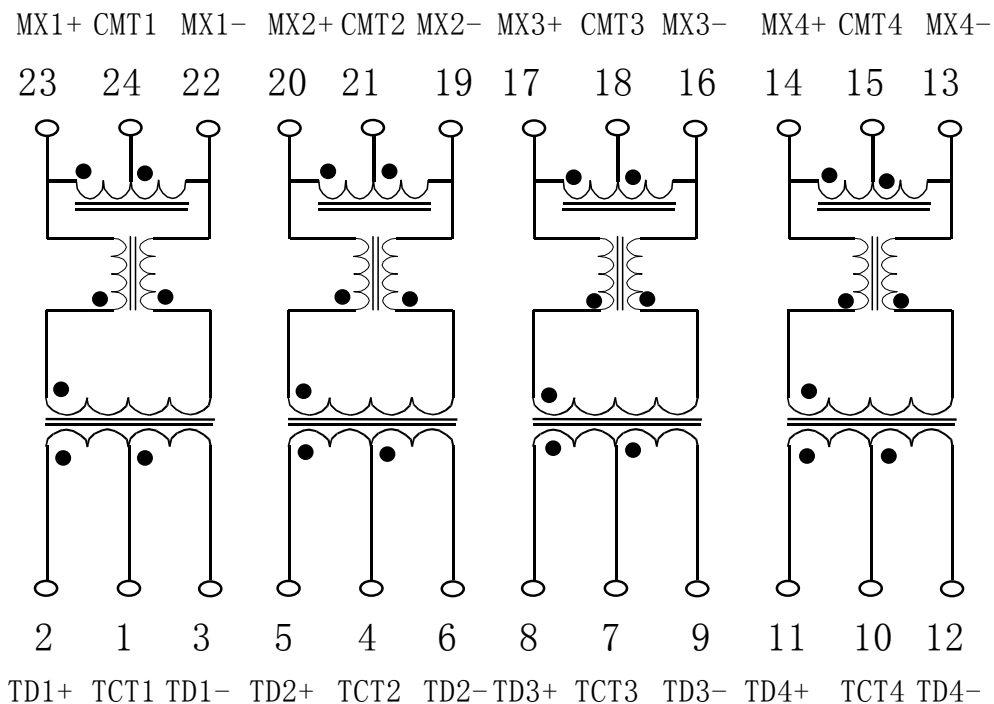
- Designed to Support 1:1 Turns Ratio Transceivers, Full duplex applications
- Supports 4 pairs of category 5 UTP cable
- Comokuant with IEEE 802.3ab
- Operating temperature -40°C to +85°C
- Minimum interwinding breakdown voltage of 1500Vrms

Electrical Specifications @ 25°C

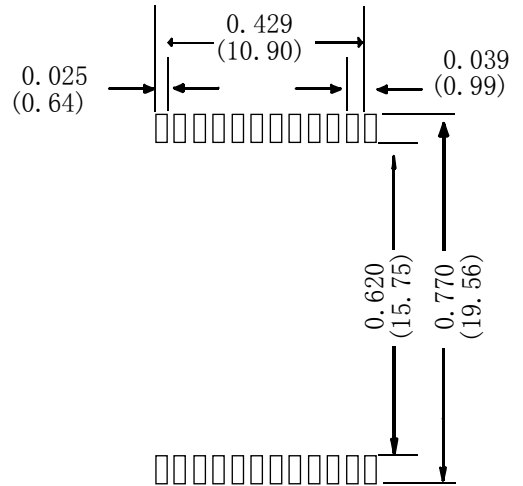
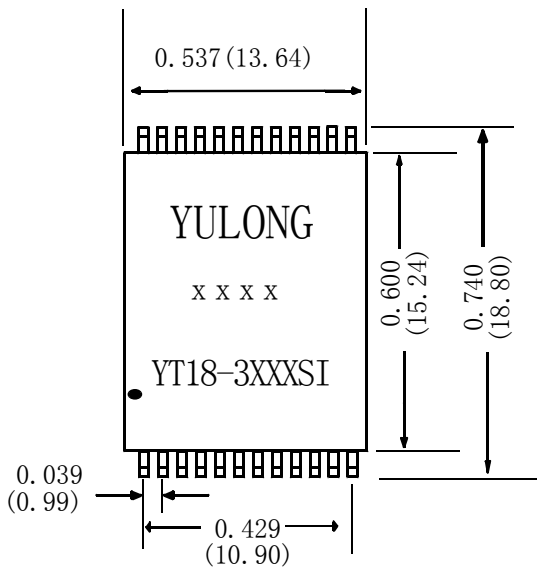
Insertion loss:	100 KHz	-1.2 dB MAX
	1-100 MHz	-1.0 dB MAX
	125 MHz	-3.0 dB MAX
Return Loss:	1-40 MHz	-16dB MIN
	40-100 MHz	$-10+20*\text{LOG}_{10} (f/80)$ dB MIN
Crosstalk :	1 MHz	-50 dB
	30-100 MHz	$-55+24*\text{LOG}_{10} (f/100)$ dB MIN
Differential to common mode rejection:		
	2 MHz	-50 dB MIN
	30-100MHz	$-43+22*\text{LOG}_{10} (f/30)$ dB MIN

Note: f is frequency in MHz

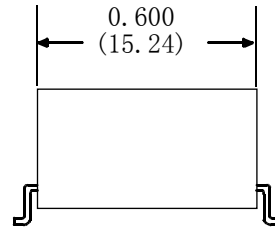
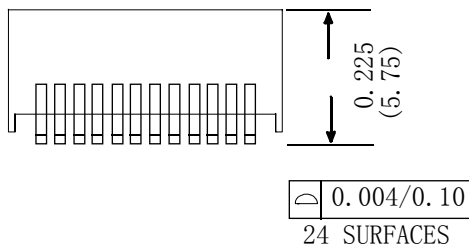
Schematics



Mechanicals



(SUGGESTED PCB PAD LAYOUT)



NOTE: Dimensions: inches/(mm) unless otherwise specified all tolerances are $\pm 0.010(0.25)$