

10GBASE-T MAGNETICS MODULES

YT18-4002S

Features:

- Compliant with IEEE 802.3 standard
- Qualified with top 10Gig PHY Manufacturer
- RoHS peak reflow temperature rating: 245°C
- Operating temperature 0°C to +70°C
- Low profile package for PCI Express
- Fine-tuned magnetics to specific PHY vendors
- Minimum interwinding breakdown voltage of 1500Vrms

Electrical Specifications @ 25°C

Insertion loss: 100 KHz -3.0 dB MAX
 1-500 MHz -1.0 dB MAX

Return Loss:
 (Z OUT =100 OHM ±1%)
 1-40 MHz -18dB MIN
 40-500 MHz -17+10*LOG₁₀ (f/40) dB MIN

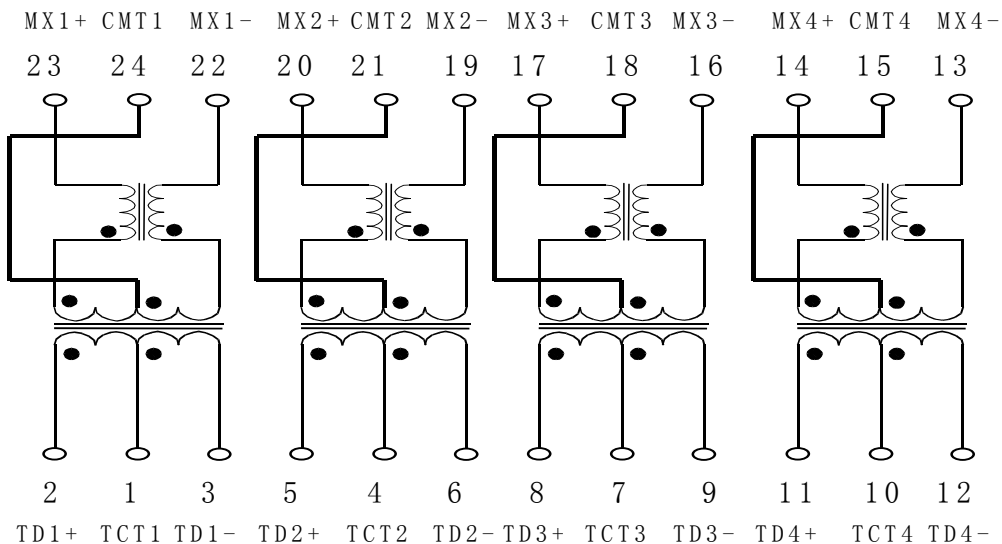
Crosstalk : 1-100 MHz -40 dB
 100-500 MHz -30 dB MIN

Common mode rejection ratio: 1-100 MHz -35 dB MIN
 100-300 MHz -30 dB MIN
 300-500MHz -25 dB MIN

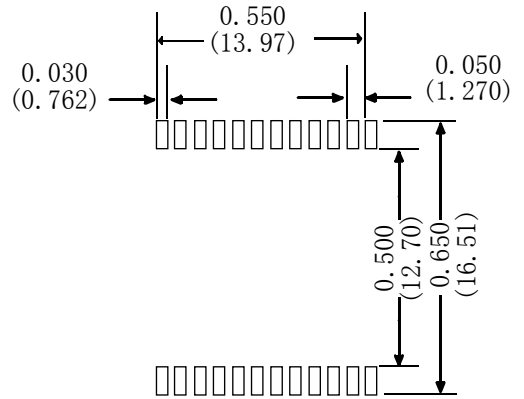
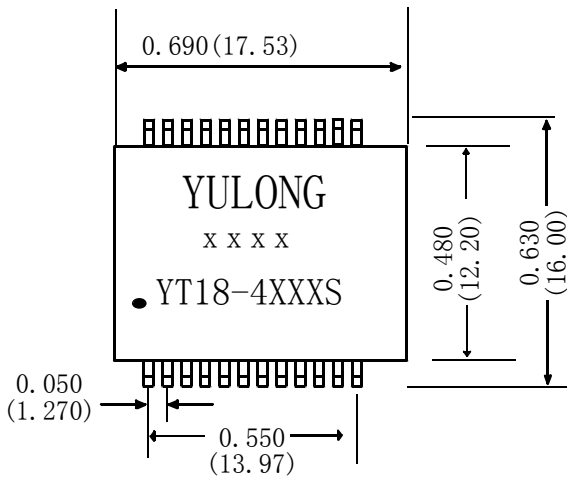
Common to differential mode rejection(CDMR):
 1-250 MHz -30dB MIN
 250-500MHz -22 dB MIN

Note: f is frequency in MH

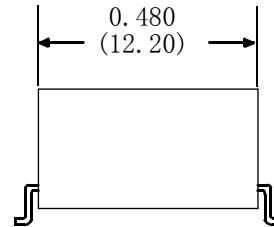
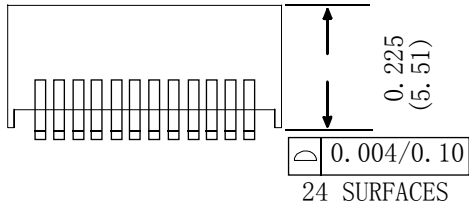
Schematics



Mechanicals



(SUGGESTED PCB PAD LAYOUT)



NOTE: Dimensions: inches/(mm) unless otherwise specified all tolerances are $\pm 0.010(0.25)$