

10/100BASE-T Integrated Connector Modules

Features:

- Single port RJ-45 connector with integrated 10/100 magnetics
- Complies with IEEE standards and all 10/100 Ethernet specifications including 350uH min with 8mA DC bias
- Operating temperature -45°C to 85°C
- Minimum interwinding breakdown voltage of 1500Vrms

Electrical Specifications @ 25°C

Isolation: 1500Vrms (UTP Side to Chip Side)

OCL: 350uH Minimum @ 100KHz 100mV with 8mA DC

Insertion Loss : 300KHz-100MHz: -1.0dB max

Return Loss: 1MHz-30MHz: -20dB min

30MHz-60MHz: -15dB min

60MHz-80MHz: -10dB min

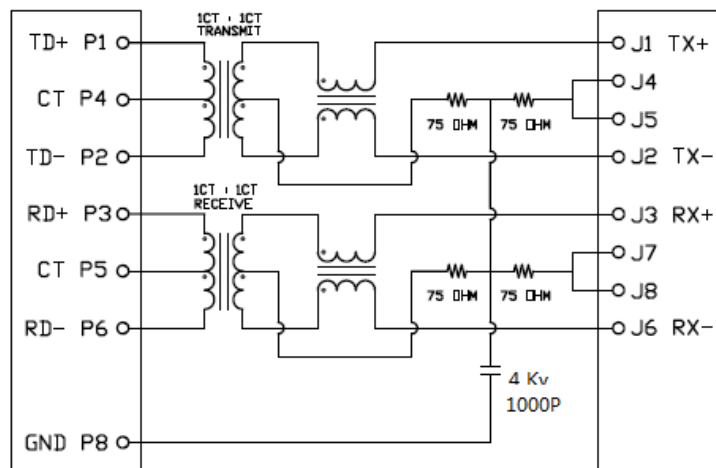
Common to Common Mode Rejection : 1MHz-100MHz : -30dB min

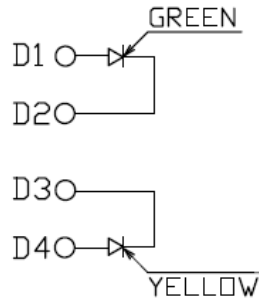
Crosstalk: 100Kz-100MHz : -35dB min

Surge protection: Line to ground : 4KV

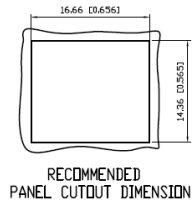
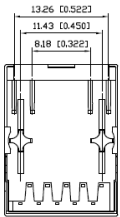
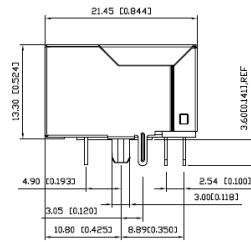
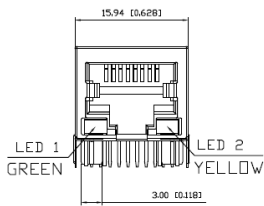
Schematics:

YL2J012A:

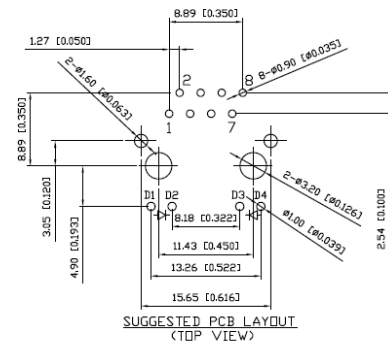




Mechanical

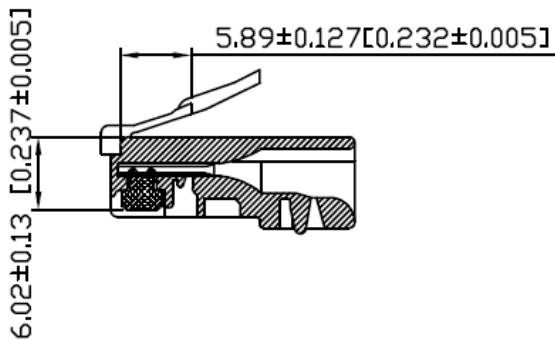


PCB LAYOUT



SUGGESTED PCB LAYOUT (TOP VIEW)

RECOMMENDED PLUG DIMENSION:



NOTES:

1. MATERIAL:

HOUSING: HIGH TEMPERATURE PBT UL94-0 BLACK

CONTACT: T=0.35mm, PHOSPHOR BRONZE, NICKEL 50u MIN UNDERPLATE ON ALL AREA, TIN 80u MIN ON TERMINATION END, 6U GLOD ON CONTACT AREA.

SHIELD: T=0.20mm, NICKEL 50u MIN PLATING

2. CAVITY CONFORMS TO FCC RULES AND REGULATIONS PART 68,SUBPART F.

NOTE:Dimensions:mm unless otherwise specified all tolerances are ± 0.25

YuTai Electronics Co.,Ltd TEL:86-574-63620701 [Http://www.yutai-elec.com](http://www.yutai-elec.com) E-mail:sales@yutai-elec.com