

# 10/100BASE-T Integrated Connector Modules

**Part Number:YL2J018A**

## Features:

- Single port RJ-45 connector with integrated 10/100 magnetics
- Complies with IEEE standards and all 10/100 Ethernet specifications including 350uH min with 8mA DC bias
- Operating temperature 0°C to 70°C
- Minimum interwinding breakdown voltage of 1500Vrms

## Electrical Specifications @ 25°C

Isolation:1500Vrms(UTP Side to Chip Side)

OCL:350uH Minimum@100KHz 100mV with 8mADC

Insertion Loss :100KHz-100MHz:-1.1dB max

Return Loss:1MHz-30MHz:-18dB min

30MHz-60MHz:-15dB min

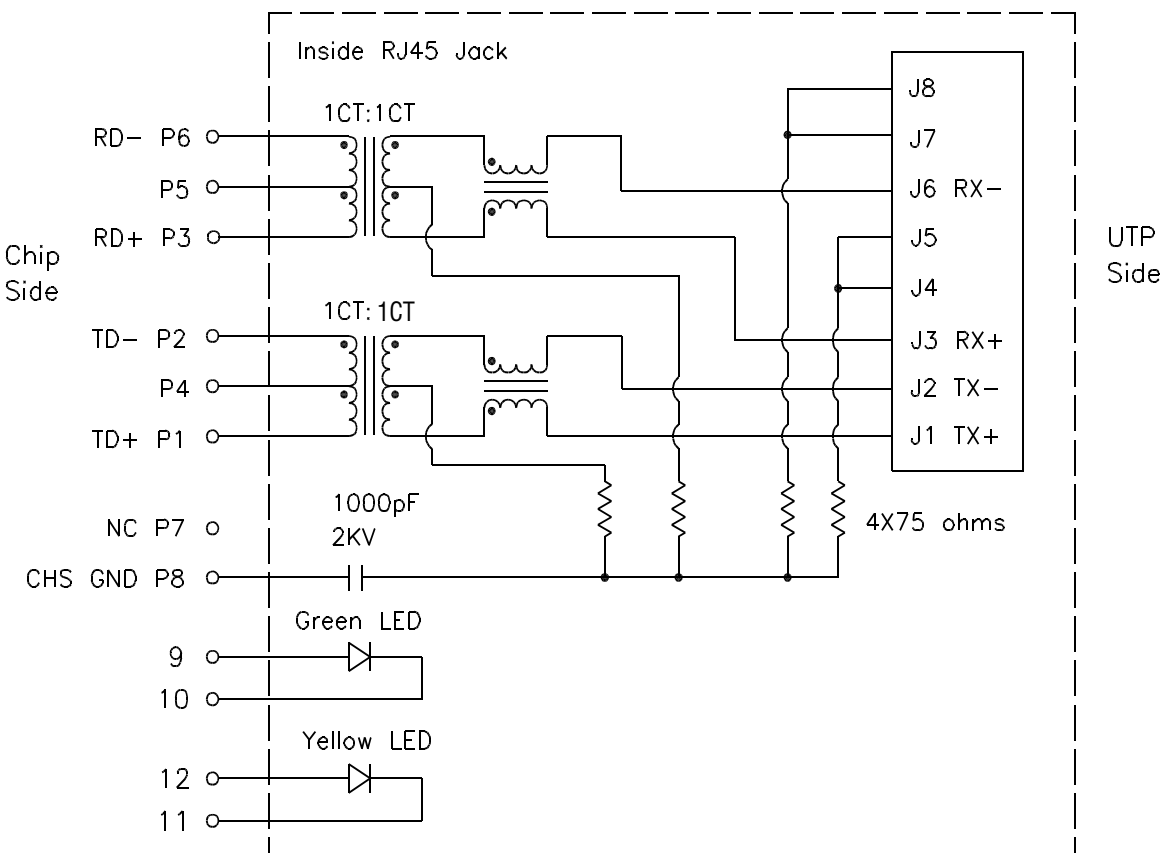
60MHz-80MHz:-12dB min

Common to Differential Mode Rejection :100KHz-100MHz: -40dB min

Common to Common Mode Rejection :100KHz-100MHz : -30dB min

Crosstalk:100Kz-100MHz :-35dB min

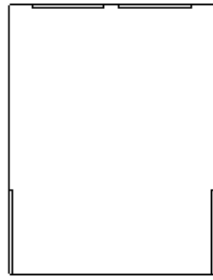
## Schematics:



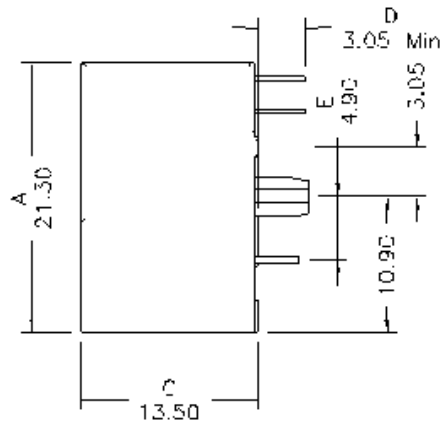
Notes: Connect CHS GND to PCB Ground

# Mechanical

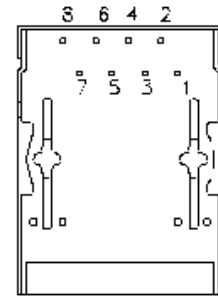
Mechanical Dimensions:



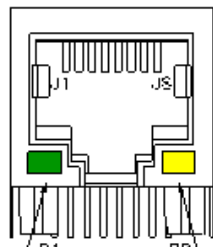
(Top View)



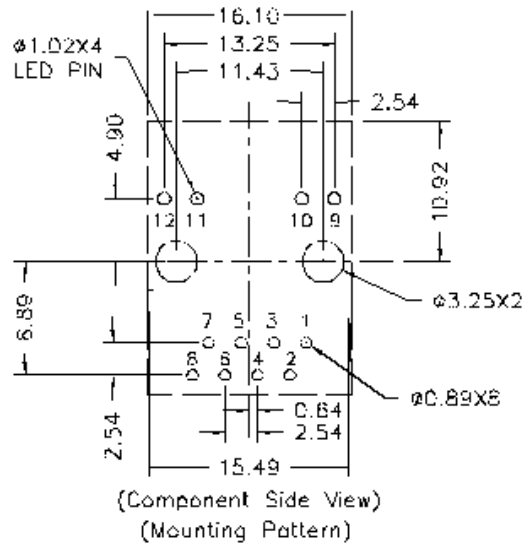
(Side View)



(Bottom View)



Left LED Green LED (Front View) Right LED Yellow LED



(Component Side View)  
(Mounting Pattern)

**NOTE:Dimensions:mm unless otherwise specified all tolerances are  $\pm 0.25$ mm**