

10M/100M/1000M Base-T Integrated Connector Modules

YL3J923A: ELECTRONICAL CHARACTERISTICS @ 25°C

1. Turns Ratio($\pm 2\%$)

TX=1CT:1CT RX=1CT:1CT

2. OCL @ 100kHz/100mV RMS

8 mA DC BIAS 350uH MIN

3. Insertion Loss:

-1.0dB Max @ 1.0-100MHz

4. Return Loss :

-20dB Min @1-10MHz

-16dB Min @10-30MHz

-12dB Min @30-60MHz

-10dB Min @60-100MHz

5. Cross alk:

-40dB Min @1-30MHz

-35dB Min @30-60MHz

-30dB Min @60-100MHz

6. Common Mode Rejection:

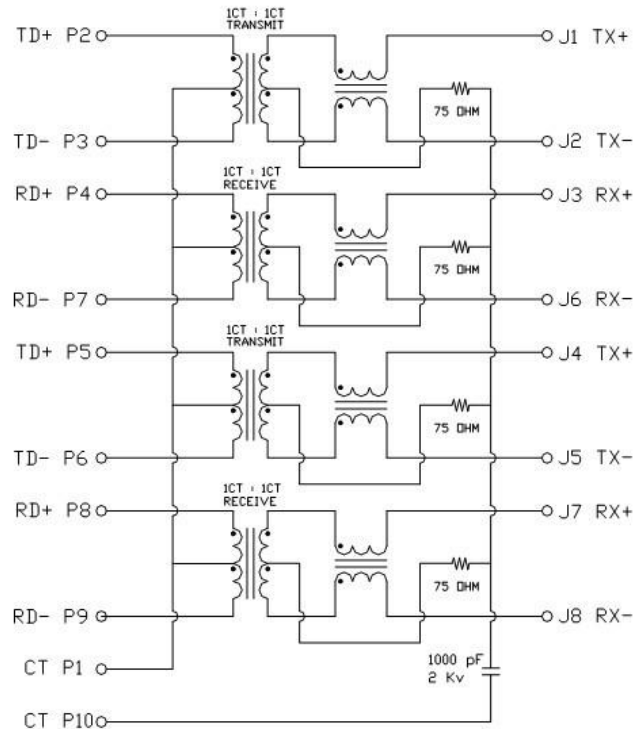
-30dB Min @1-50MHz

-20dB Min @50-100MHz

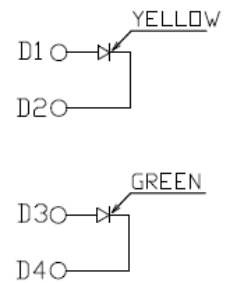
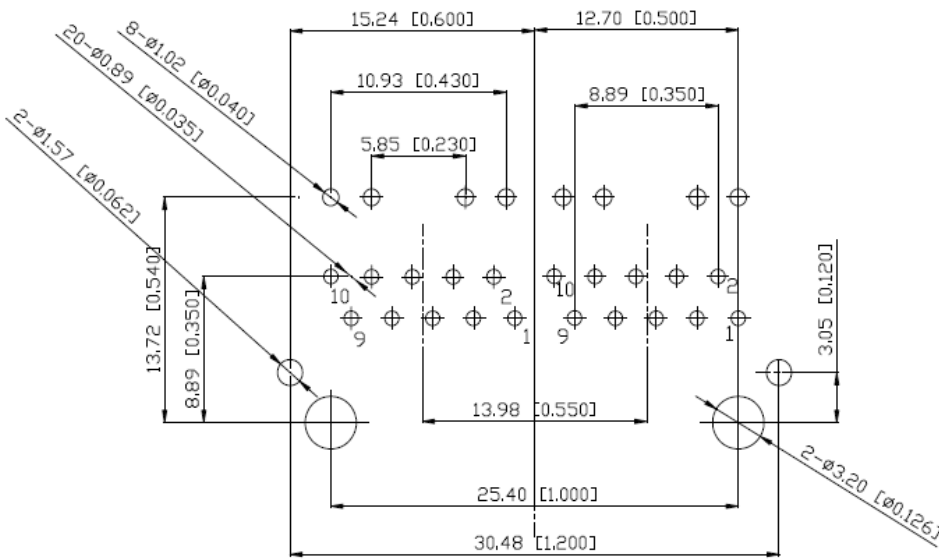
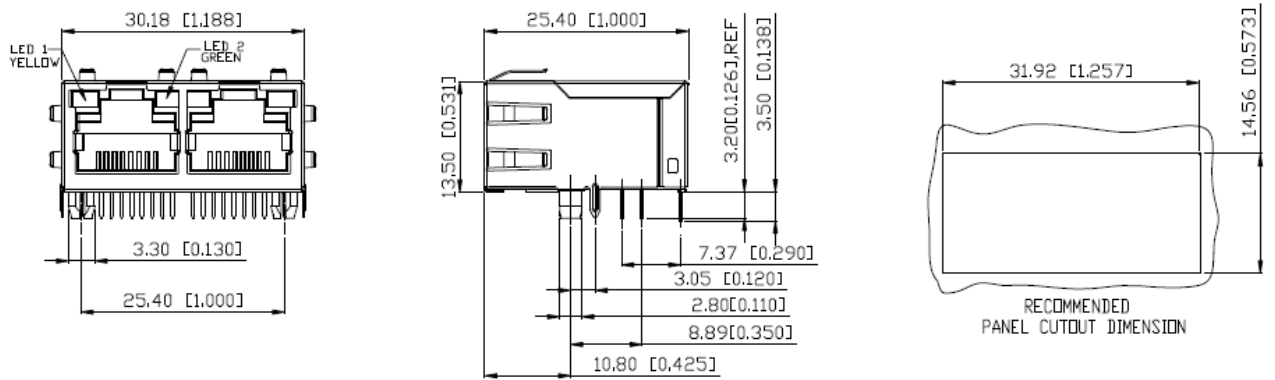
7. Operating temperature 0°C to 70°C

8. HIPOT (Isolation Voltage): 1500Vrms

Schematic:



Mechanical



SUGGESTED PCB LAYOUT
(TOP VIEW)

NOTE:Dimensions:mm unless otherwise specified all tolerances are ± 0.25