

10M/100M/1000M Base-T Integrated Connector Modules

YL3J925A: ELECTRONICAL CHARACTERISTICS @ 25°C

1. Turns Ratio($\pm 3\%$)

TX=1CT:1CT RX=1CT:1CT

2. OCL @ 100kHz/100mV RMS

8 mA DC BIAS 350uH MIN

3. Insertion Loss:

-1.0dB Max @ 0.3MHz-100MHz

4. Return Loss :

-20dB Min @1-30MHz

-15dB Min @30-60MHz

-10dB Min @60-80MHz

5. Cross Talk:

-30dB Min @1-100MHz

6. Common to Common Mode Rejection:

-30dB Min @1-100MHz

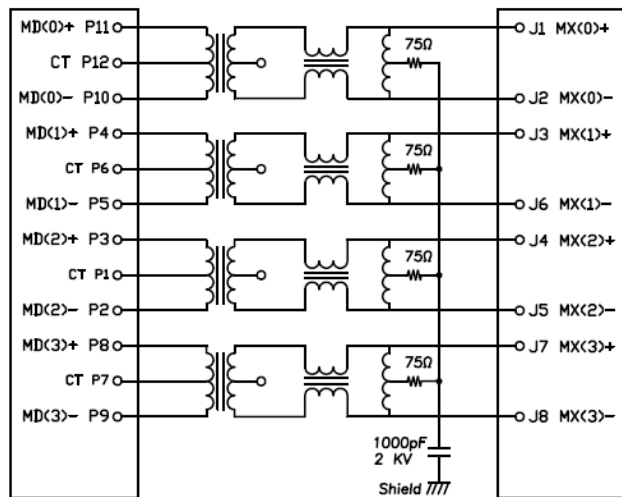
7. Operating temperature 0°C to 70°C

8. HIPOT (Isolation Voltage): 1500Vrms

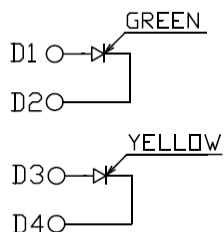
Schematic:

CONNECTOR SOLDER SIDE

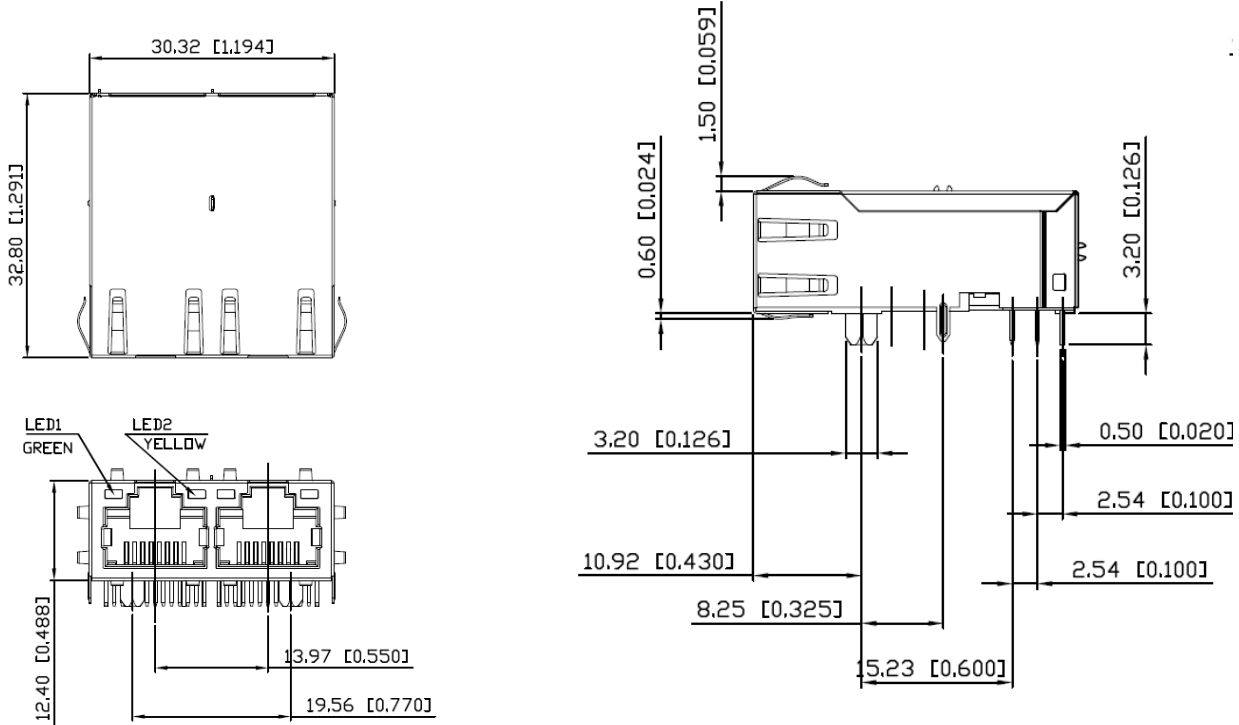
RJ45 CONTACT SIDE



LED

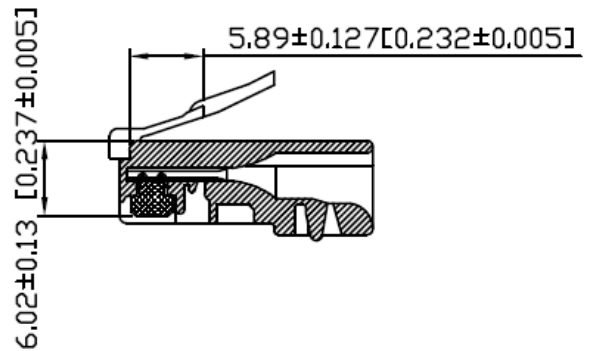
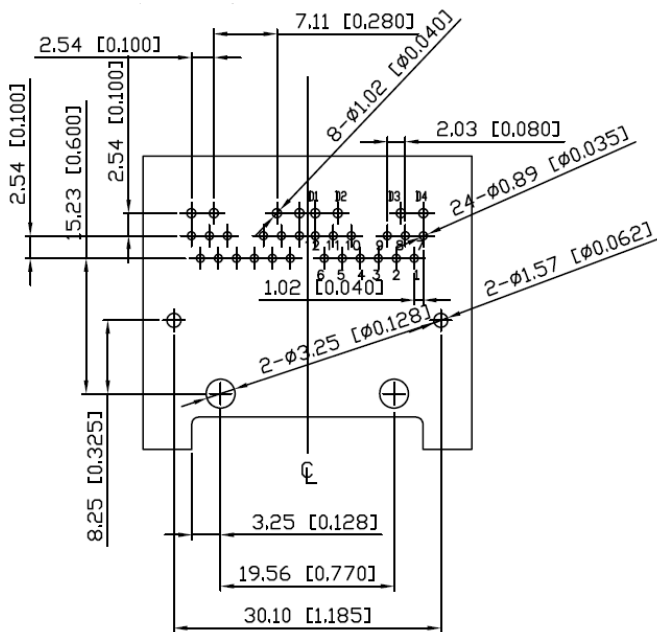


Mechanical



PCB LAYOUT

RECOMMENED PLUG DIMENSION



SUGGESTED PCB LAYOUT

(TOP VIEW)

NOTE: Dimensions: mm unless otherwise specified all tolerances are ±0.25(0.010)