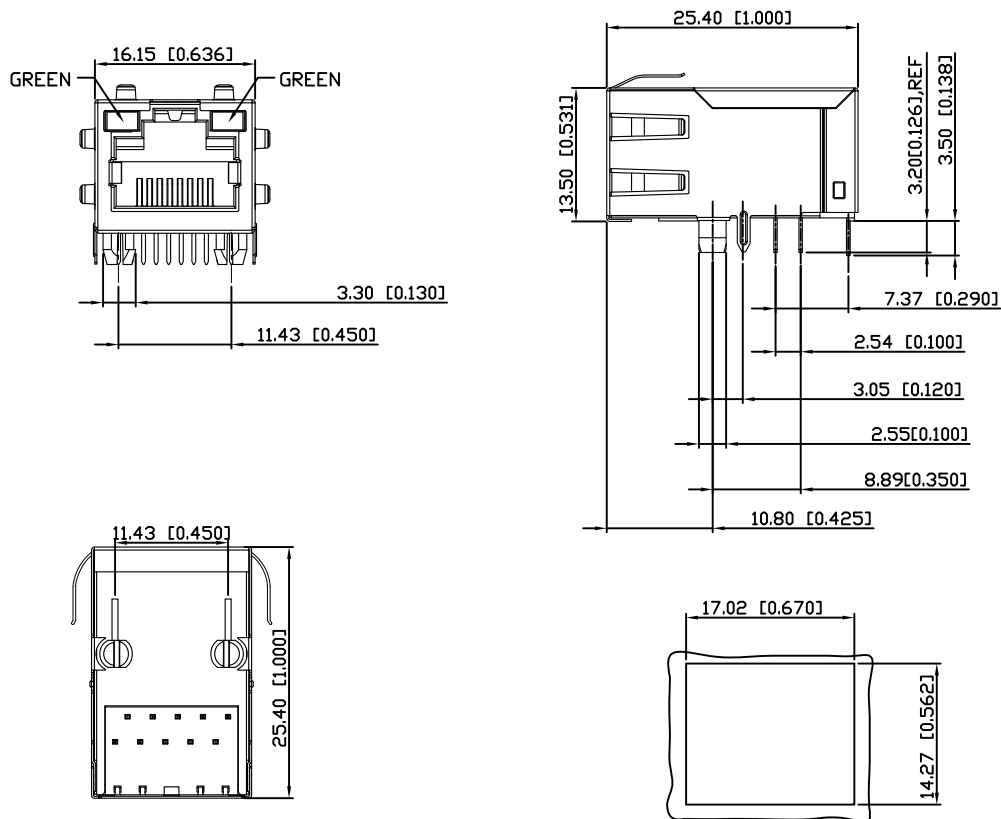
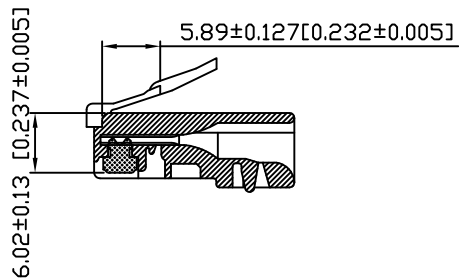


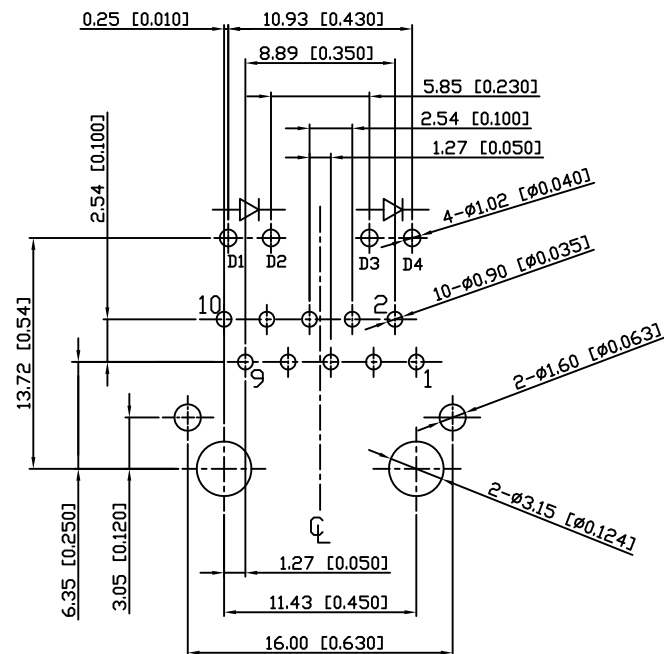
### 1. MECHANICAL DIMENSIONS :



### RECOMMENED PLUG DIMENSION:



### 2. PCB LAYOUT :



SUGGESTED PCB LAYOUT  
(TOP VIEW)

#### NOTES:

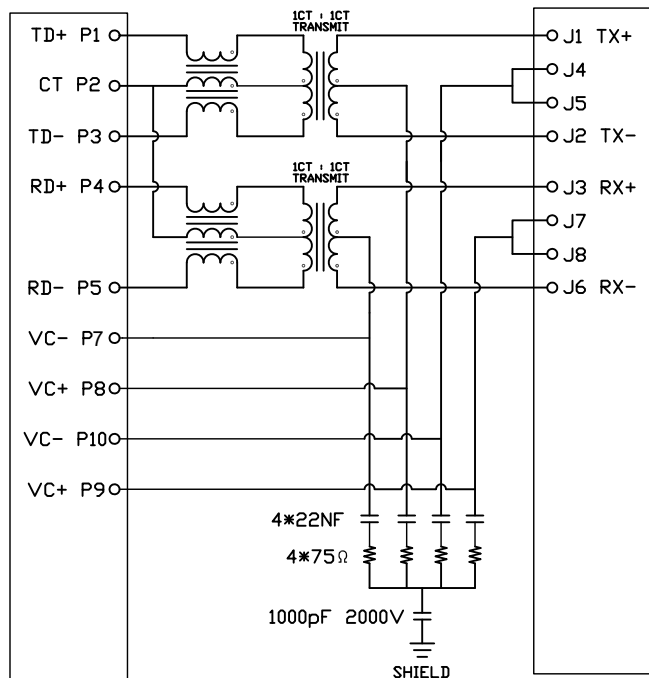
- MATERIAL:
  - HOUSING: HIGH TEMPERATURE PBT UL94V-0 BLACK
  - CONTACTS: T=0.35mm,PHOSPHOR BRONZE, NICKEL 50μ\*MIN UNDERPLATE ON ALL AREA, TIN 80μ\*MIN ON TERMINATION END, 6U\* GOLD ON CONTACT AREA.
  - SHIELD: T=0.20mm,NICKEL 50μ\*MIN PLATING
- OPERATING TEMPERATURE : 0°C~70°C  
STORAGE TEMPERATURE : -40°C~85°C
- CAVITY CONFORMS TO FCC RULES AND REGULATIONS PART 68,SUBPART F.

TOLERANCE UNSPECIFIED		YuTai Electronics Co.,LTD			
.0	± 0.50				
.00	± 0.38	TITLE: RJ45 Connectors, W/LED, 10P, 8C, 100 Mbps /FILTER			
.000	± 0.25	SIZE: A4	UNIT: MM	PART NO. YP2J101A	
ANGLE	± 0.10	SCALE: 1:1		PROJECTION	REV.: A
MANUFACTURING COPY	± 3°	DWG . PATH E\RJ\CH\		SHEET:10F2	
DRAWN BY:					
CHECKED BY:					
APPROVED					

### 3. SCHEMATIC:

CONNECTOR SOLDER SIDE

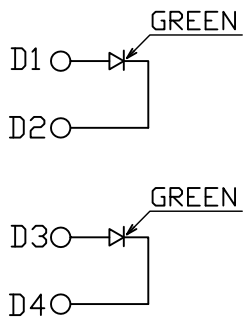
RJ45 CONTACT SIDE



### 4. ELECTRICAL CHARACTERISTICS :

- PINS:(P1-P3):(J1-J2)=1:1±3%
- PINS:(P4-P5):(J3-J6)=1:1±3%
- 2.LX:(100KHz,100mV,8mA, DC Bias)
- PINS: (P1,P2),(P4,P5)=350uH MINIMUM
- 3.DCR:
- PINS:(J1-J2),(J3-J6)= 1.2 OHMS MAXIMUM
- 4.HIPOT:
- PINS(P1,P3,P4,P5)TO(J1,J2,J3,J6)=1500VAC FOR 60 SECONDS
- 5.INSERTION LOSS:
- 1.0dB MAXIMUM AT 0.3MHz TO 100MHz;
- 6.RETURN LOSS:
- 20dB MINIMUM AT 1MHz TO 30MHz;
- 15dB MINIMUM AT 30MHz TO 60MHz
- 10dB MINIMUM AT 60MHz TO 80MHz
- 7.CROSS TALK:
- 30dB MINIMUM AT 1MHz TO 100MHz
- 8.COMMON TO COMMON MODE REJECTION:
- 30dB MINIMUM AT 1MHz TO 100MHz

### 5. LED CONFIGURATION :



TOLERANCE UNSPECIFIED ± 0.50 .0 ± 0.38 .00 ± 0.25 .000 ± 0.10 ANGLE ± 3° MANUFACTURING COPY		YuTai Electronics Co.,LTD	
		TITLE: RJ45 Connectors, W/LED , 10P, 8C, 100 Mbps /FILTER	
DRAWN BY:	SIZE: A4	UNIT: MM	PART NO. YP2J101A
CHECKED BY:	SCALE: 1:1	PROJECTION	REV.: A
APPROVED	DWG . PATH	E\RJ\CH\	SHEET:2OF2